

# GATE LOCKING BOLT

Suitable for Outdoor installation, all stainless steel construction, strong and durable

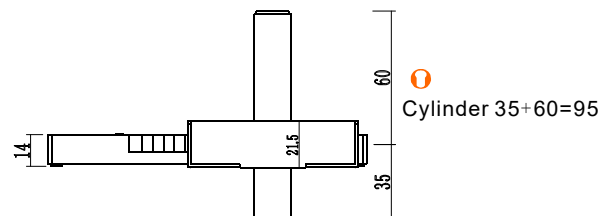
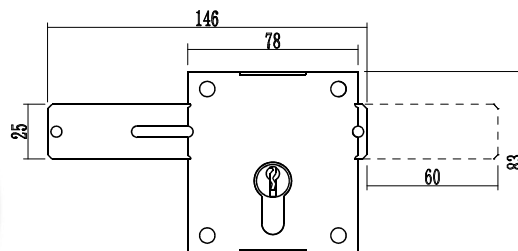
## Gate locking bolt

### DESCRIPTION

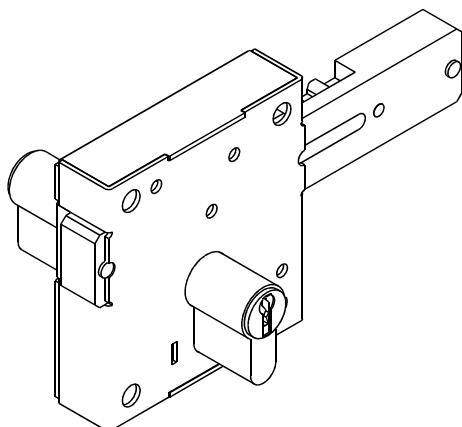
A robust locking bolt perfect for use on both wooden and metal gates. This lock is unique as it has a strong steel deadbolt which moves 60mm with one turn of the key.



PZ = Profile cylinder  
(DIN 18252)



- Applicable to industrial plant, warehouse, gate, garden, villa door.
- Outdoor installation, all stainless steel construction, strong and durable



### KEY FEATURES

- Keyed both sides
- 60mm throw
- Fully stainless steel
- Suitable for left or right hand gates
- Easy to install to a wide range of gate types
- Lock plate included
- Includes mounting screws and keep plate

## GLB-60 Gate locking bolt 双向单方舌插芯锁



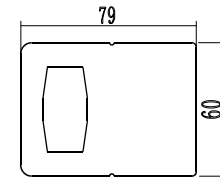
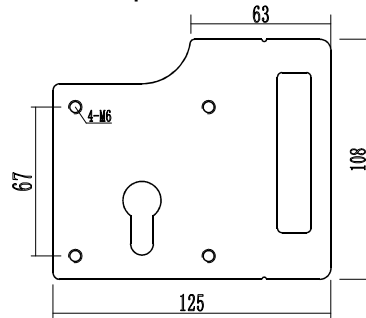
**HSK**<sup>®</sup>  
Project locks

# GLB-60 双向单方舌插芯锁

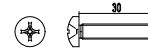
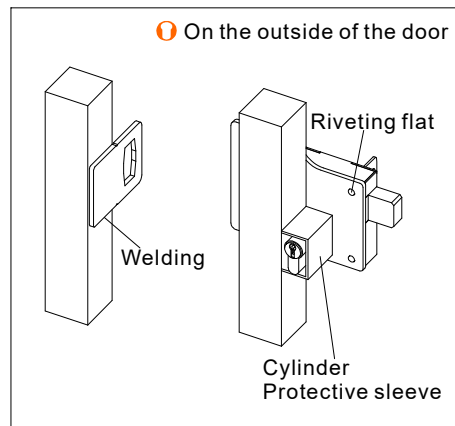


The inside of the door  
GLB-60 For Wrought iron gate

## Lock plate for weldin

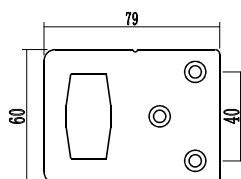
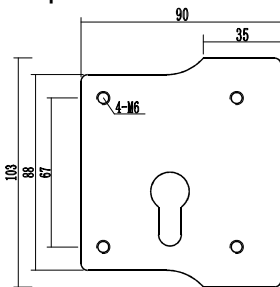


## Keep plate



Install screws  
4 pieces M6X30

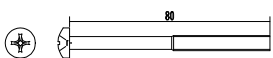
## Lock plate for wooden door



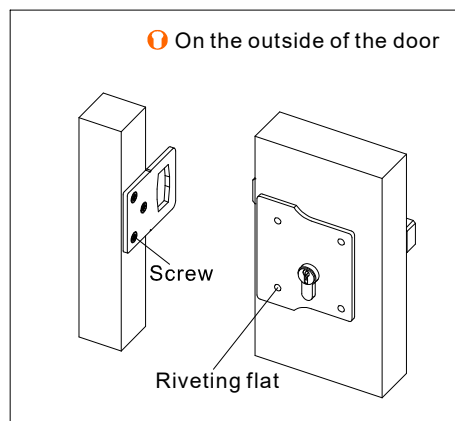
## Keep plate



The inside of the door  
GLB-60 For wooden door



Install screws  
4 pieces M6X80  
Fit door thickness =50mm



**HSK**<sup>®</sup>  
Project locks