

# Heavy duty mortise lock

## H72NC Series

Project locks  

**H&K**<sup>®</sup>

Hot dip galvanized coated case gives exceptional corrosion resistance.

Quick reverse latch for left and right hand applications, It won't scratch Forend. without tools, allowing quick trouble free on-site handing without the need to dismantle the lockcase.

Classification: EN 12209 2003/AC2015


**3 X 9 1 0 G 3 B C 3 0**

Production inspection tracking mark 

Solid stainless steel 304 Latch  
Flexible return spring

Solid Steel Follower—8X8 square optional 9X9 square  
Lever operation and reduces wear and tear which can lead to lever droop.

Stainless Steel 304 Deadbolt  
With key action 2-turns 20mm

Passed 4-hour fire test 

European standard shape and installation hole spacing

Forend in grade 304 stainless steel  
Optional round and square



PZ = Profile cylinder (DIN 18252)

 Quality & Performance

 Fire Safety test Pass the 4-hour

 Conformity Statement for approved

 **Applus**<sup>+</sup> 0370



Warranty of the Product

# Heavy duty mortise lock

Mortise Lock Reversible, complying with DIN 18250, class 3, suitable for commercial buildings



**F**

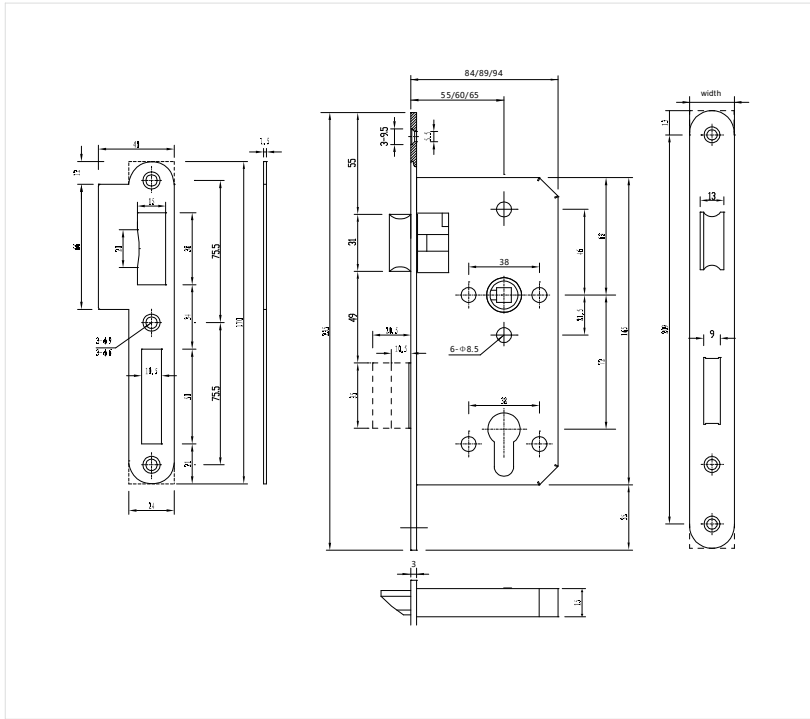


Follower 8X8

PZ = Profile cylinder (DIN 18252)

**Type**

- H572NC
- H6072NC
- H6572NC



## H72NC Series

Classification: EN 12209 2003/AC2015

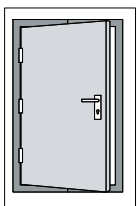
**3 X 9 1 0 G 3 B C 3 0**

### Features

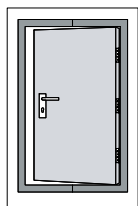
- According to DIN 18.250 class 3
- For wooden or steel doors with CE certificate  
Lock case size DIN 18251-1, closed case with sleeves,
- Suitable for external fire or smoke protection doors
- Prepared for profile cylinders
- With key action
- Deadbolt 2-turns

### DIN Left Hand

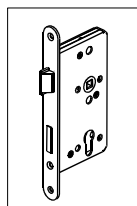
Visible position of the door hinges on the left



Opening out



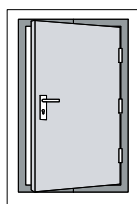
Opening in



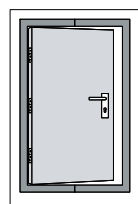
The straight side of the latch points to the left

### DIN Right Hand

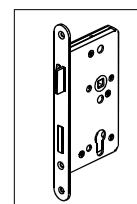
Visible position of the door hinges on the right



Opening out



Opening in



The straight side of the latch points to the right

### Technical Data

- Follower 8X8mm 9X9mm
- Distance 72mm
- Backset 55mm 60mm 65mm

### Forend

- Type round head, square head
- Thickness 3mm
- Width 20, 22, 24mm

### Forend finish

- Stainless steel SSS PSS PVD

### Accessories

- Striking plate
- Pocket
- Lock and strike plate fixing screws

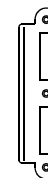
### Strike Plate Type



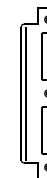
72Z-01R



72Z-01S



72Z-02R



72Z-02S



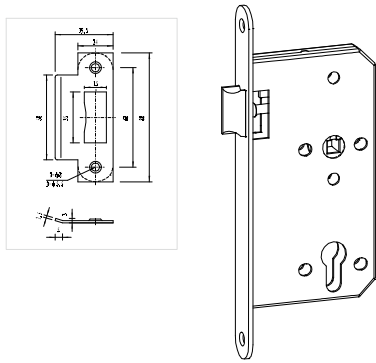
**HSK**<sup>®</sup>

Project locks

ENGLISH

BEIJING HSK TECHNOLOGY CO., LTD  
 www.hsklock.com Email: info@houselock.com.cn TEL: 0086-10-85386092

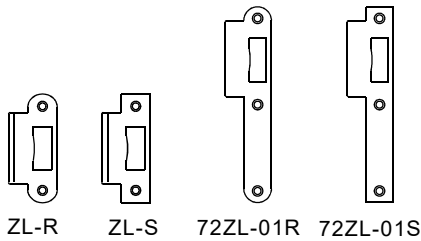
## Latch Bolt Lock



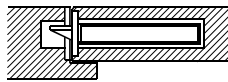
**Type**

- H5572NCL
- H6072NCL
- H6572NCL

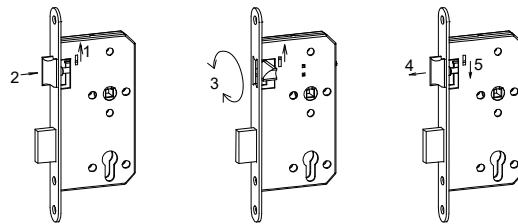
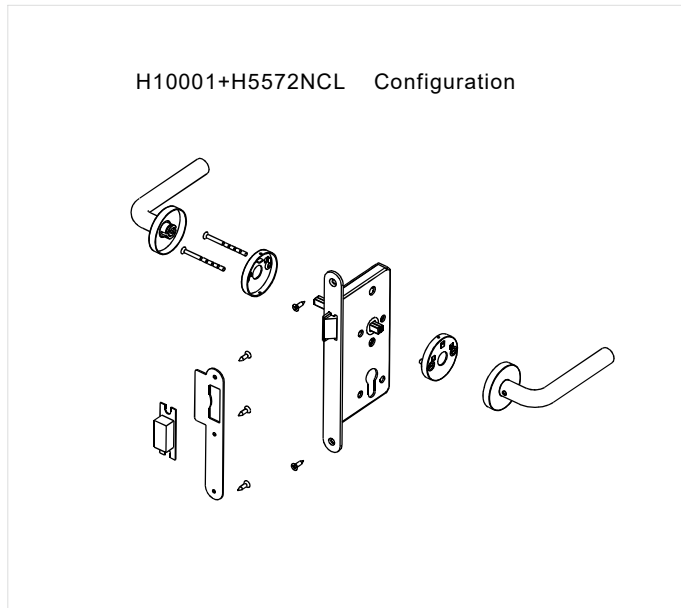
**Strike plate type**



**Door Type**



profile of a non rebated door with mortise lock (forend protruding on one side)

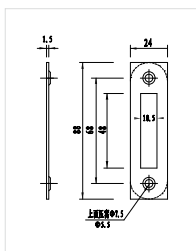
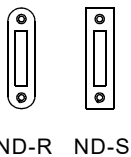


**Reverse left/right hand**



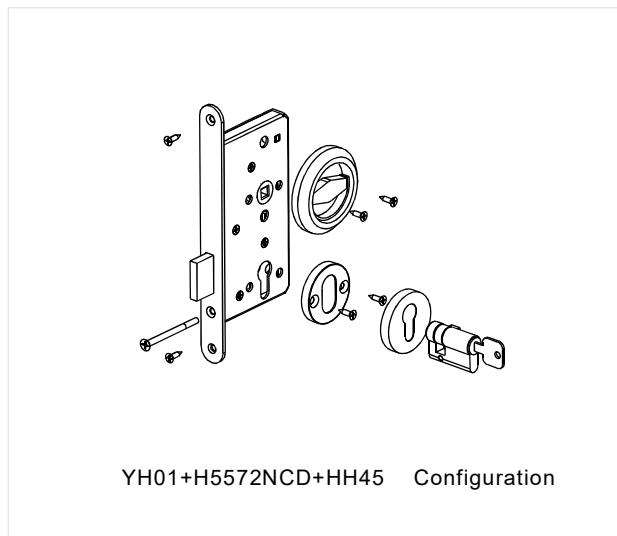
BEIJING HSK TECHNOLOGY CO.,LTD  
www.hsklock.com Email:info@houselock.com.cn TEL: 0086-10-85386092

## Dead Bolt Lock



**Type**

- H5572NCD
- H6072NCD
- H6572NCD



YH01+H5572NCD+HH45 Configuration

H72NC Series

# Night-Latch Bolt Lock



Follower 8X8



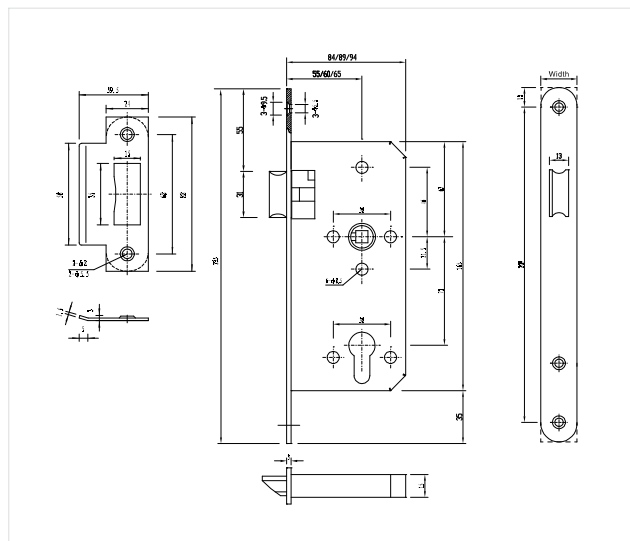
PZ = Profile cylinder (DIN 18252)



**F**

### Type

- H5572NCN
- H6072NCN
- H6572NCN



## H72NC Series

Classification: EN 12209 2003/AC2015

**3 X 9 1 0 G 3 B C 3 0**

### Features

- According to DIN 18.250 class 3
- For wooden or steel doors with CE certificate  
Lock case size DIN 18251-1, closed case with sleeves,
- Suitable for external fire or smoke protection doors
- Prepared for profile cylinders
- With key action latch bolt

### Technical data

- Follower 8X8mm 9X9mm
- Distance 72mm
- Backset 55mm 60mm 65mm

### Forend

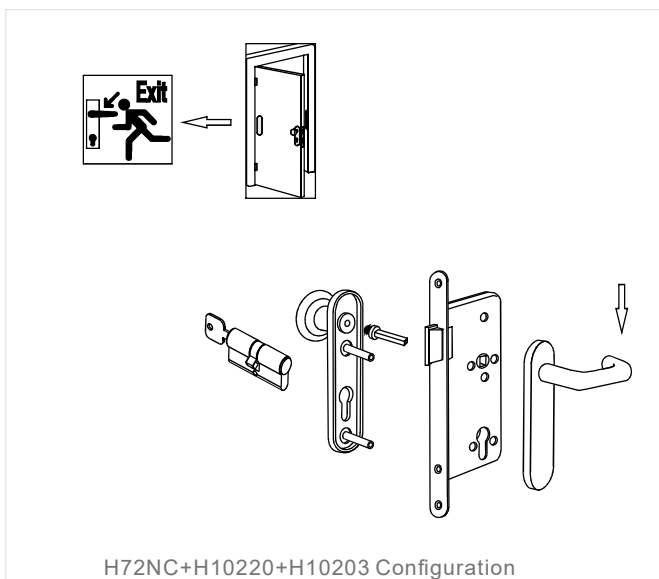
- Type round head, square head
- Thickness 3mm
- Width 20, 22, 24mm

### Forend finish

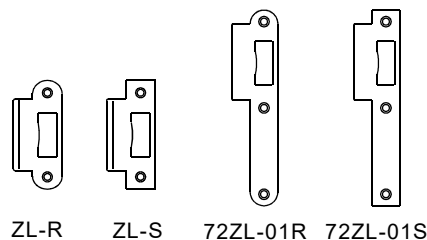
- Stainless steel SSS PSS PVD

### Accessories

- Striking plate
- Pocket
- Lock and strike plate fixing screws



### Strike plate type

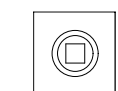
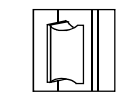


**HSK**<sup>®</sup>  
Project locks

ENGLISH

BEIJING HSK TECHNOLOGY CO., LTD  
 www.hsklock.com Email: info@houselock.com.cn TEL: 0086-10-85386092

**H72NC Series**

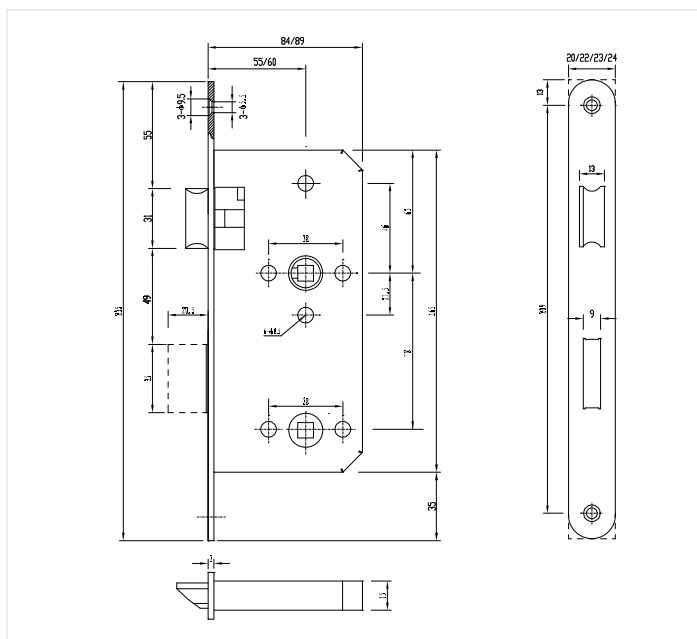


Follower 8-8



### Type

- H5578NC
- H6078NC
- H6578NC



### Technical data

- Follower 8-8/6/5mm 9-8/6/5mm
- Distance 78mm
- Backset 55mm 60mm 65mm

### Forend

- Type round head, square head
- Thickness 3mm
- Width 20, 22, 24mm

### Forend finish

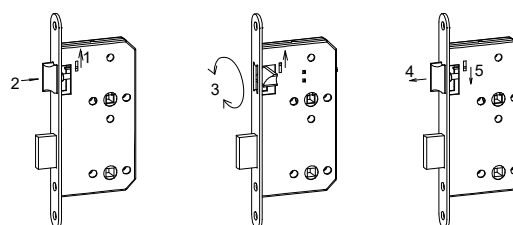
- Stainless steel SSS PSS PVD

### Accessories

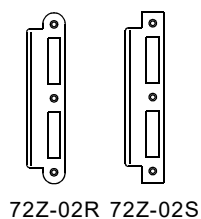
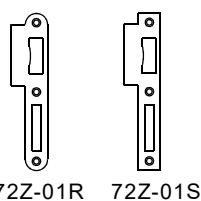
- Striking plate
- Pocket
- Lock and strike plate fixing screws

### Features

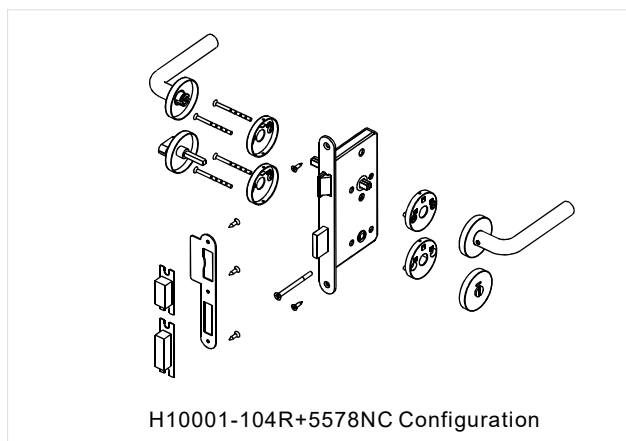
- According to DIN 18.250 class 3
- For wooden or steel doors with CE certificate
- Lock case size DIN 18251-1, closed case with sleeves,
- For bathroom doors
- With turn knob action
- Deadbolt 1-turns



### Strike plate type



### Reverse left/right hand



H10001-104R+5578NC Configuration

# H85 Series

Mortise lock complying with DIN 18250, class 3, suitable for commercial buildings



## H85NC Series

Fixed follower mounted in stainless steel ring. Forend latch and bolt stainless steel, prepared for profile cylinder with transmission.

### Features

- According to DIN 18.250 class 3
- For wooden or steel doors
- Suitable for external fire or smoke protection doors
- Prepared for profile cylinders
- With key action
- Deadbolt 2-turns



Follower 8X8

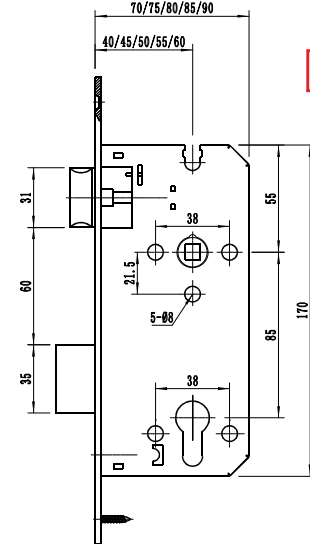
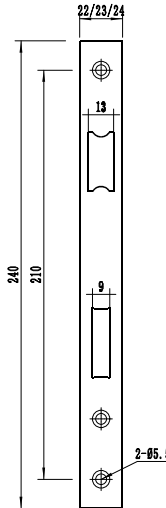
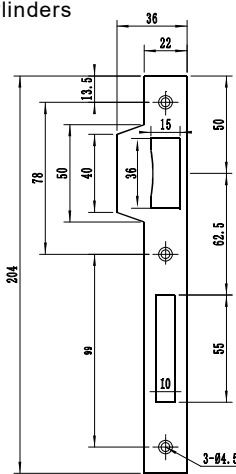


PZ = Profile cylinder (DIN 18252)

### Type

H4085NC □ H4585NC □

H5085NC □ H6085NC □

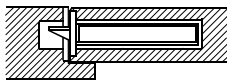


## H85NC Series

Classification: EN 12209 2003/AC2015

3 X 9 1 0 G 3 B C 3 0

### Door Type



profile of a non rebated door with mortise lock (forend protruding on one side)



### Technical Data

Follower 8X8mm(nickel-coated)  
 Distance 85mm  
 Backset 40mm 45mm 50mm 60mm

### Forend

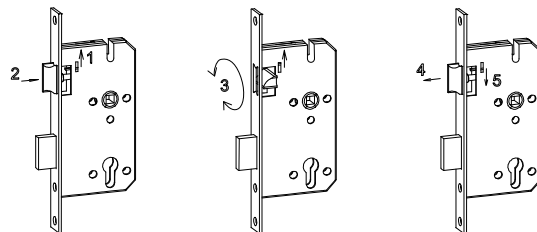
Type round head, square head  
 Thickness 3mm  
 Width 22, 23, 24mm

### Forend finish

Stainless steel SSS PSS PVD

### Accessories

Striking plate-Stainless steel  
 Pocket  
 Lock and strike plate fixing screws



### Reverse left/right hand



**HSK**<sup>®</sup>  
 Project locks

ENGLISH

BEIJING HSK TECHNOLOGY CO.,LTD  
 www.hsklock.com Email:info@houselock.com.cn TEL: 0086-10-85386092