

# DOOR COORDINATOR FITTING INSTRUCTION

Suitable for commercial buildings

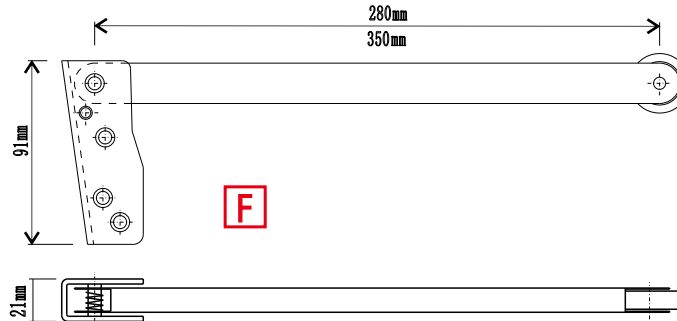
Fire protection project hardware

BS EN 1158:1997

Category of use	Durability	Door mass	Fire resistance	Safety	Corrosion resistance
3	5	5	0	1	0

## Type

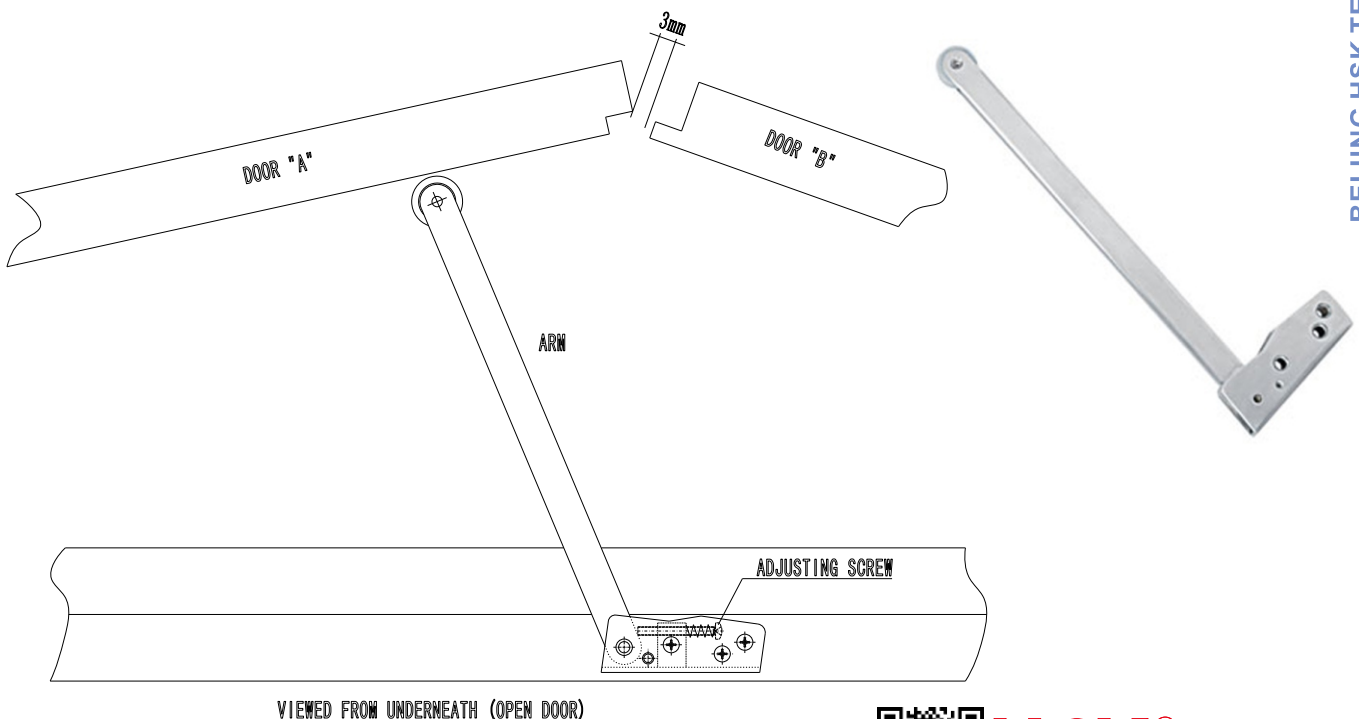
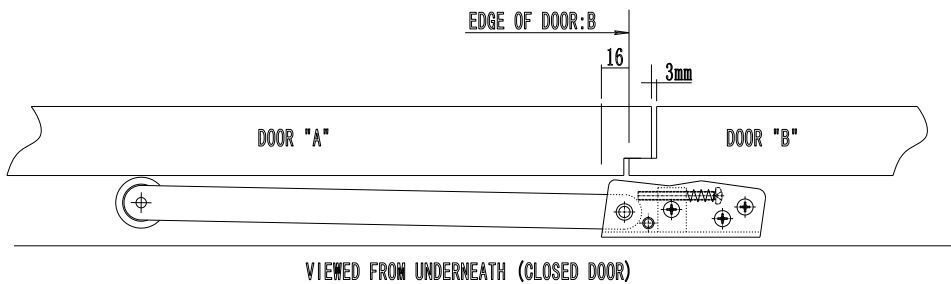
- HSW01-280 □
- HSW01-350 □



## Fitting Instructions

- 1. Mount door selector to transom.
- 2. Position of arm may be changed by winding the adjustment screw in or out.

**Length of coordinator:** 280mm for door opening up to 2200mm  
350mm for door opening up to 2600mm



**HSK®**  
Project hardware

BEIJING HSK TECHNOLOGY CO., LTD  
 www.hsklock.com Email: info@houselock.com.cn TEL: 0086-10-85386092