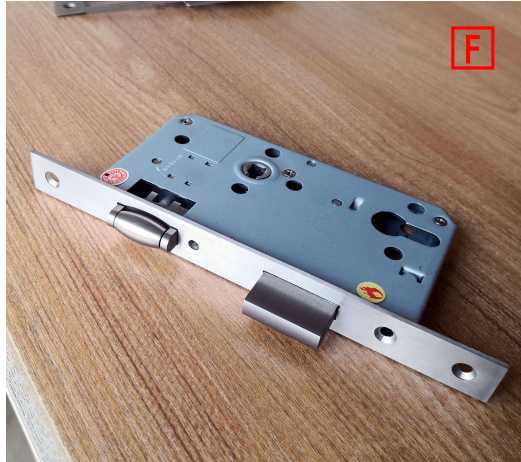
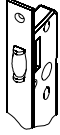


# Roller Latch lock

Mortise lock, complying with DIN 18250, class 3



## Features

- According to DIN 18.250 class 3
- For wooden or steel doors
- Optional for non-rebated doors
- Suitable for external fire and smoke protection doors
- Prepared for profile cylinders
- With key drive roller retraction
- Deadbolt 2-turns

## Technical data

Follower	8X8mm
Distance	72mm
Backset	55mm 60mm 65mm

## Forend

Type	round head, square head
Thickness	3mm
Width	22, 24mm

## Forend finish

Stainless steel SSS PSS PVD

## Accessories

- Striking plate
- Lock and strike plate fixing screws

## H72C Roller-Series

### ○ Type

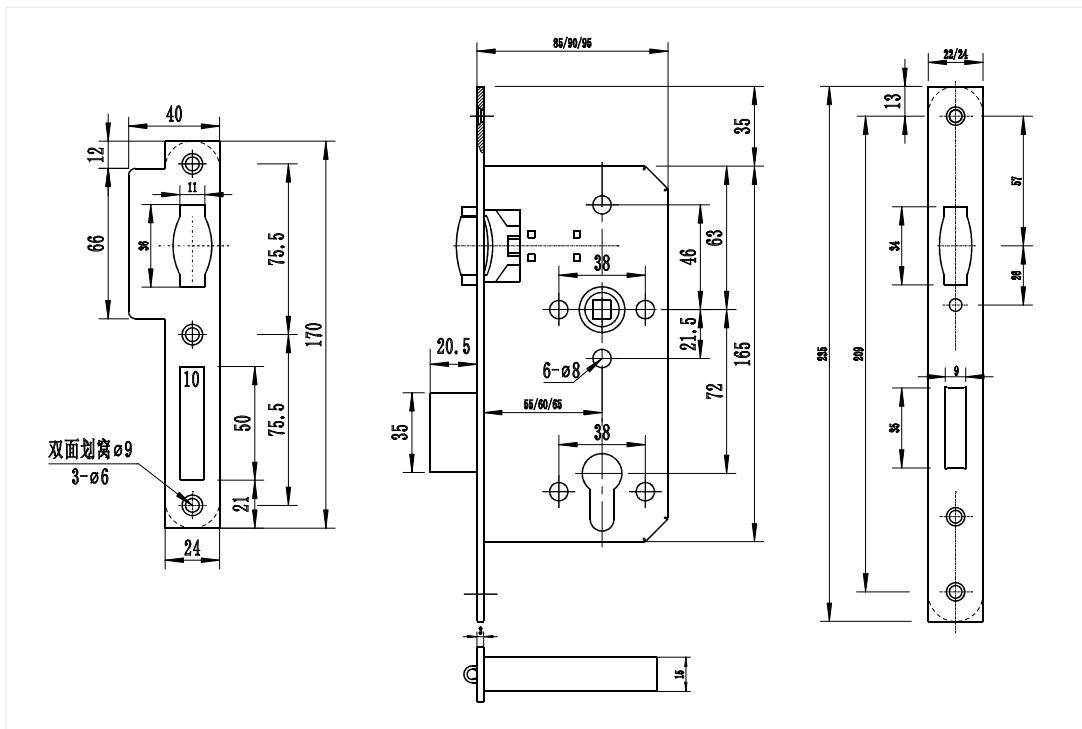
- H5572CR
- H6072CR
- H6572CR



Follower 8X8



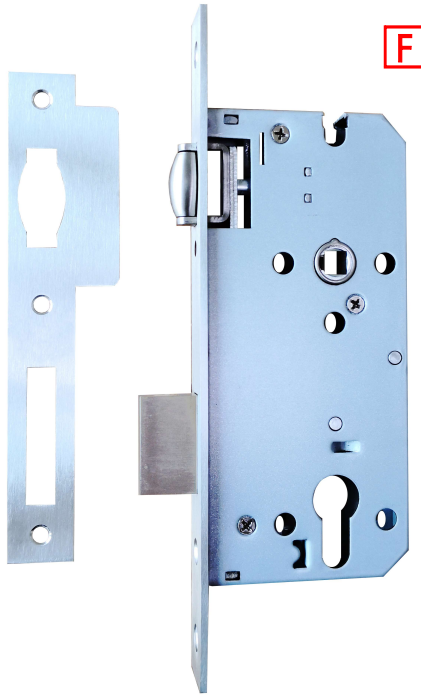
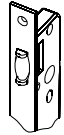
PZ = Profile cylinder (DIN 18252)



**HSK**<sup>®</sup>  
Project locks

# Roller Latch lock

Mcrtise lock,complying with DIN 18250,class 3



## Features

- According to DIN 18.250 class 3
- For wooden or steel doors
- Optional for non-rebated doors
- Suitable for external fire and smoke protection doors
- Prepared for profile cylinders
- With key drive roller retraction
- Deadbolt 2-turns

## H85C Roller-Series

### Technical data

Follower	8X8mm
Distance	85mm
Backset	50mm 60mm

### Type

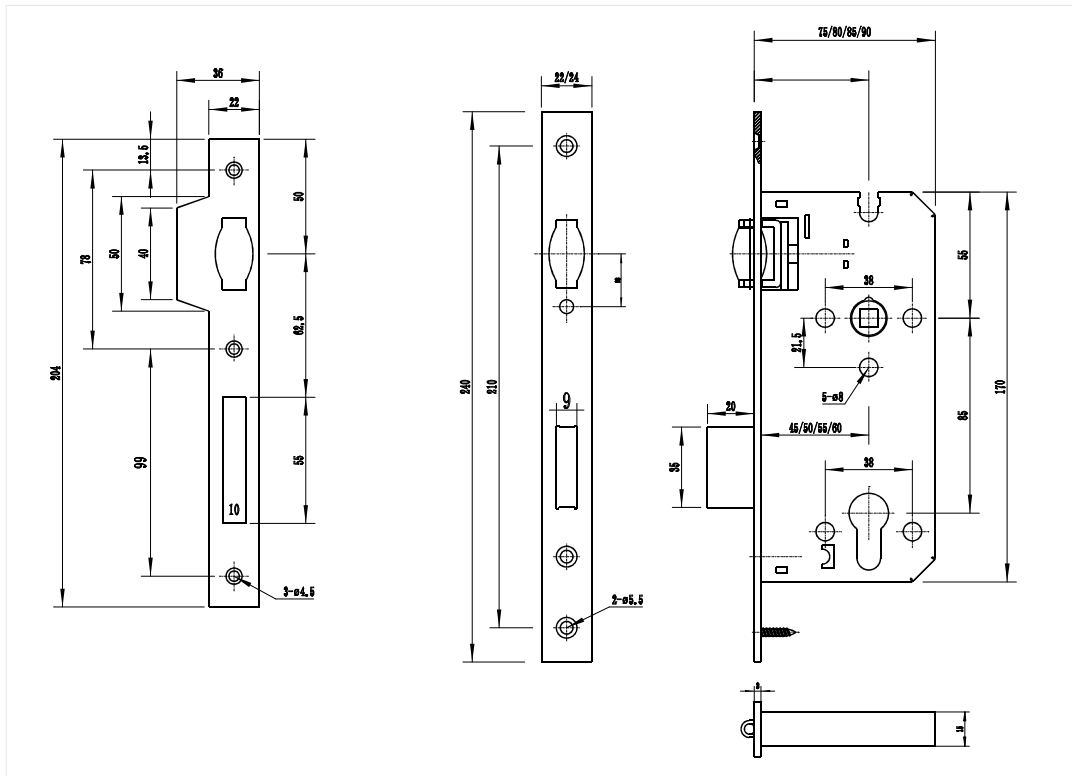
- H5085CR
- H6085CR



Follower 8X8



PZ = Profile cylinder (DIN 18252)



BEIJING HSK TECHNOLOGY CO.,LTD  
 www.hsklock.com Email:info@houselock.com.cn TEL: 0086-10-85386092



**HSK**<sup>®</sup>  
Project locks