

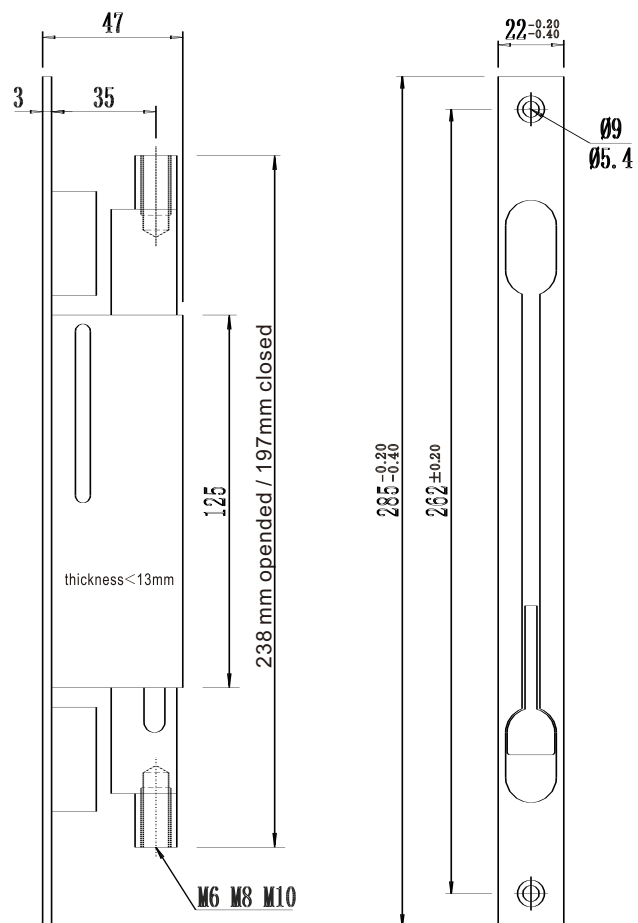
Flush Bolt-Lever coherent

Suitable for commercial buildings

Fire protection project hardware

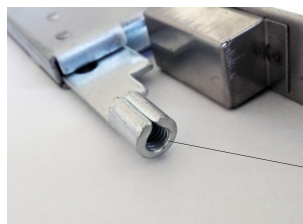
F

Type
HCX04 □



Flush Bolt

- Manufactured from satin-stainless steel
- Features**
 - For steel double-leaves doors
 - Suitable for external fire or smoke protection doors
 - Lever coherent action
- Forend finish**
Stainless steel SSS
- Accessories**
Fixing screws-M5X10-2pcs



M6 M8 M10
Multiple - threaded hole options

BEIJING HSK TECHNOLOGY CO.,LTD
www.hsklock.com Email:info@houselock.com.cn TEL: 0086-10-85386092



HSK[®]

Project hardware