

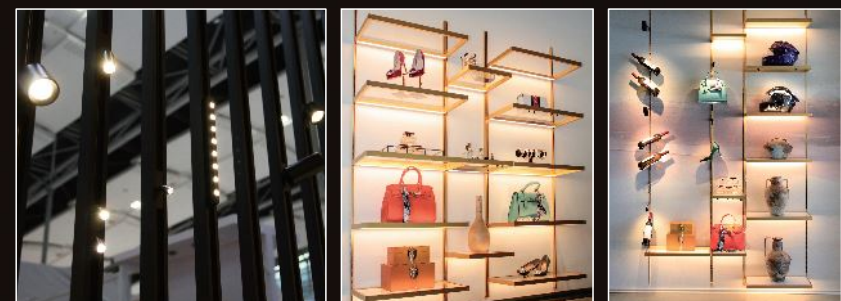
TOBILED 2024

No.5 building, Qingwan industrial zone, Sanzao Town, Jinwan District,
Zhuhai City, Guangdong province, China, 519040

Contact No.: 0086-756-6805251/6805252/6805253/6805254/
6805465/6805310;

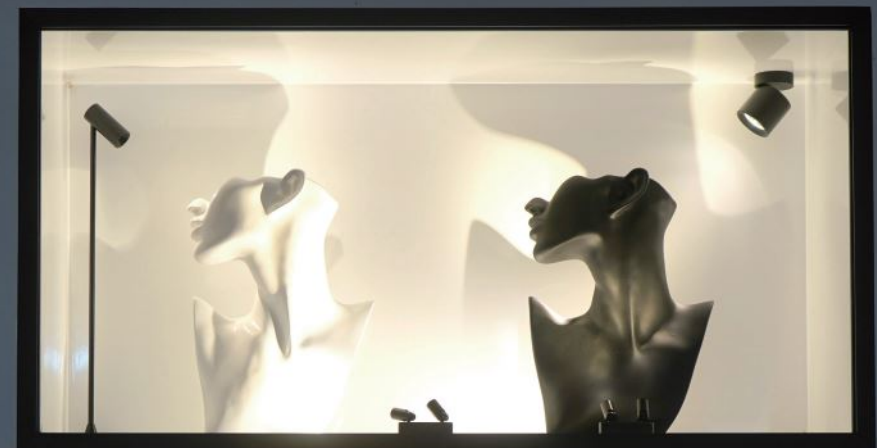
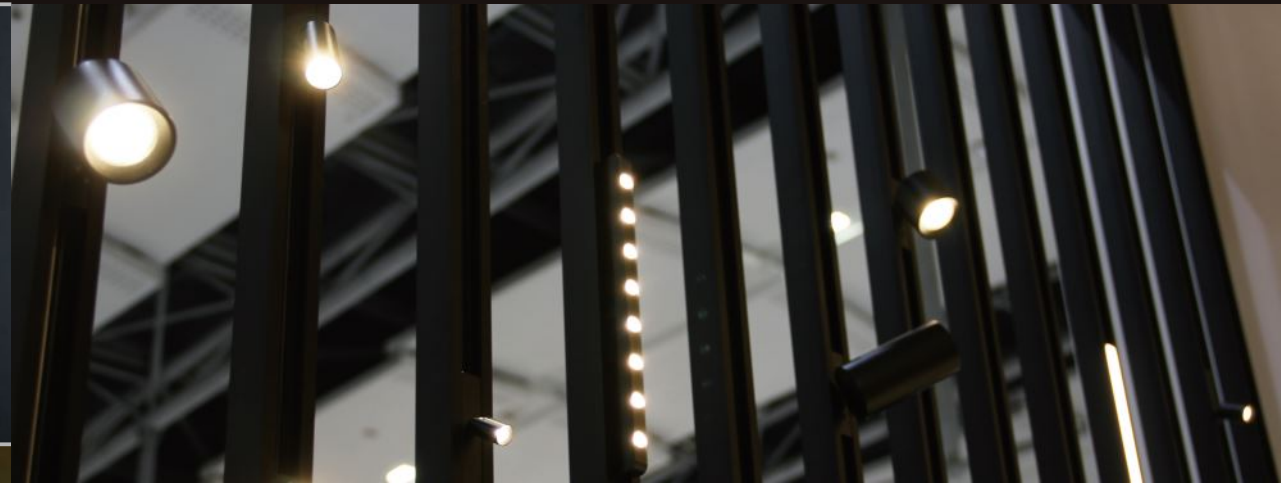
Email: info@tobiled.com www.tobiled.com Fax: 0086-756-6805559

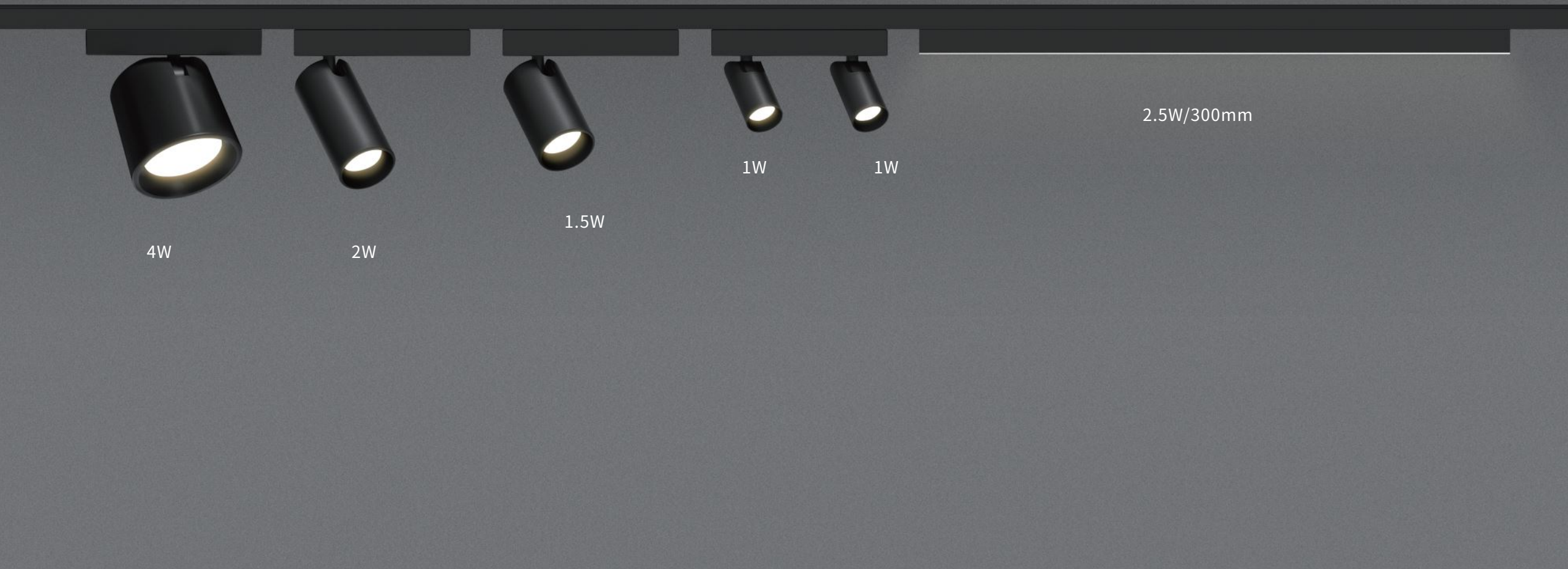
TOBILED CO., LIMITED ALL rights reserved.
Designs and specifications may change without prior notice.



24V- 48VDC LOW VOLTAGE TRACK SYSTEM







Track Linear Lily

Super Slim track linear light with low power track

Endless extends without dark area

Input voltage: DC24-48V

Power: 2.5W

Colors: 2700K/3000K/3500K/4000K/5000K/6500K

CRI: ≥ 90

Dimming: 0-10V/PWM/DALI (optional)

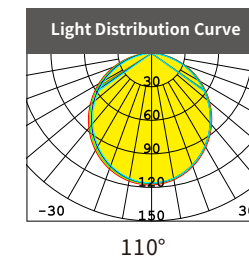
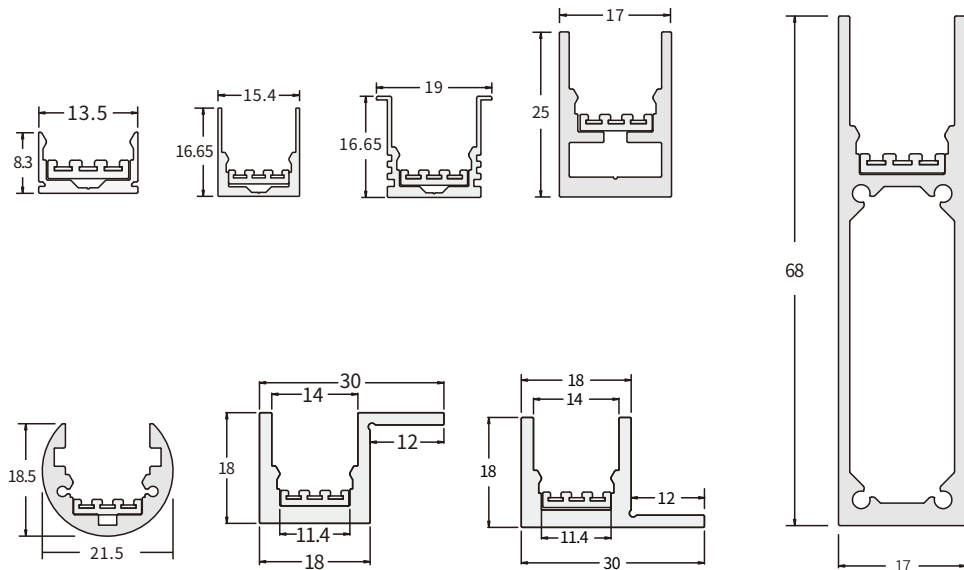
Beam Angle: 110°

Working temperature: 0~45°C

we suggest maximum connected power
not more than 100W



Suit for following power track



Track Linear Lina

Super Slim track linear light with Asymmetric diffuser

Endless extends without dark area

Input voltage:DC24-48V

Power: 3W

Colors: 2700K/3000K/3500K/4000K/5000K/6500K

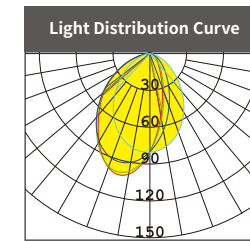
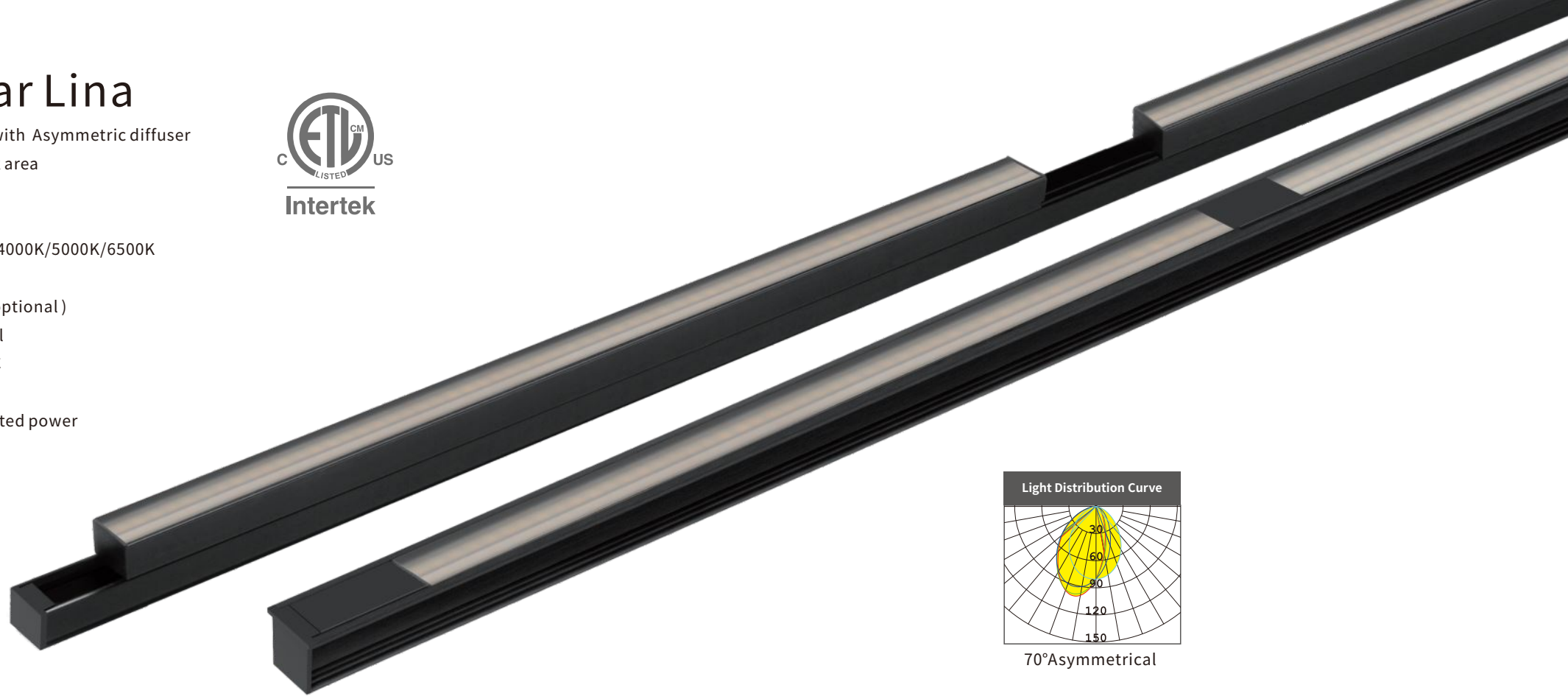
CRI: ≥ 90

Dimming: 0-10V/PWM/DALI (optional)

Beam Angle: 70°Asymmetrical

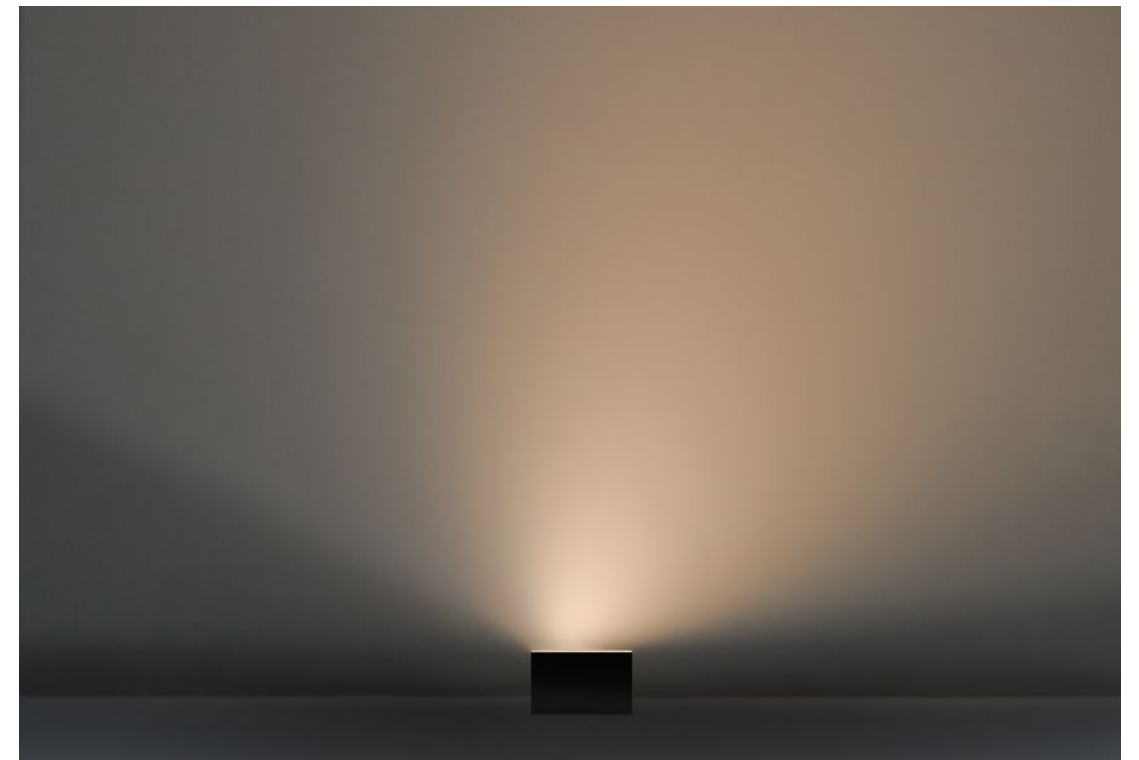
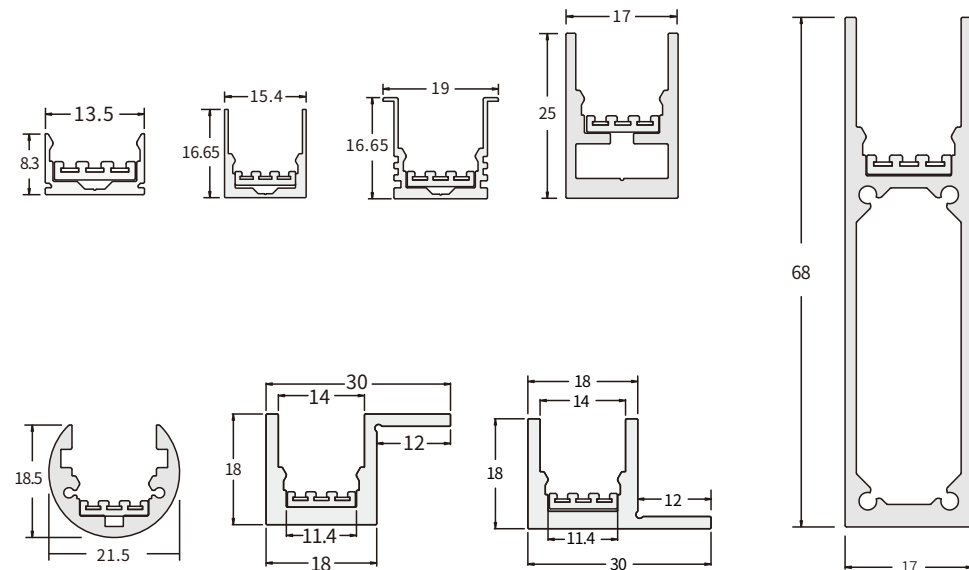
Working temperature: 0~45°C

we suggest maximum connected power
not more than 100W



70°Asymmetrical

Suit for following power track



Track Optic Lino

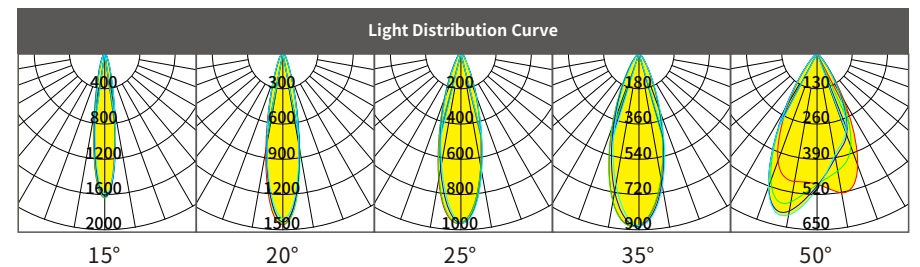
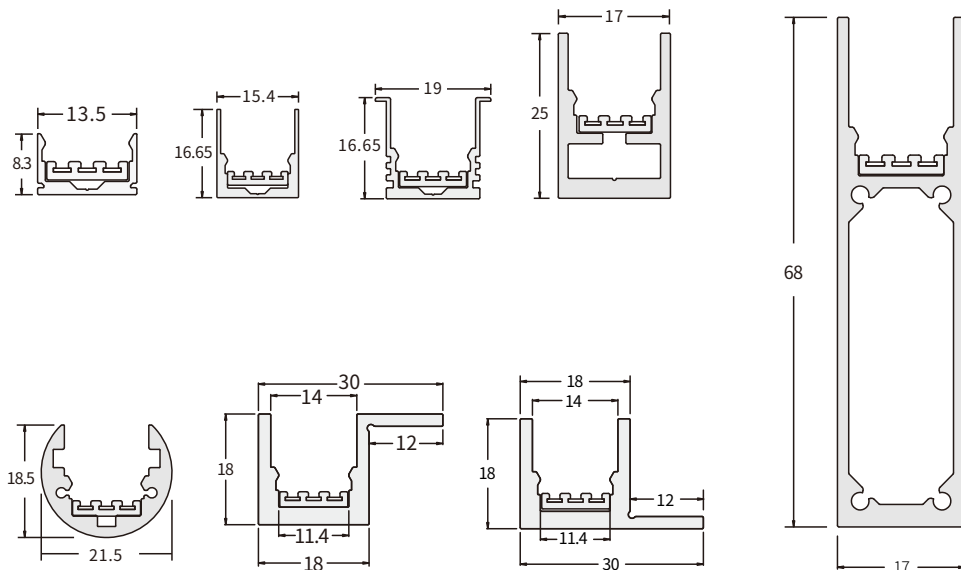


Super Slim mini wall washer with low power track
 Input voltage: DC24V
 Power: 4W(300mm)/8W(590mm)/10W(890mm)/12W(1190mm)
 Colors: 2700K/3000K/3500K/4000K/5000K/6500K
 CRI: Ra \geq 90, \geq 95
 Dimming : 0-10V/PWM/DALI(optional)
 Beam Angle: 15° /20°/25°/ 35°/50°
 Working temperature: 0~45°C

we suggest maximum connected power
 not more than 100W



Suit for following power track



Track Optic Lino-G

Superslim mini with low power track
with different beam angle, Anti-glare design

Input voltage: DC24V

Power: 4W(300mm)/8W(590mm)/10W(890mm)/12W(1190mm)

Colors: 2700K/3000K/3500K/4000K/5000K/6500K

CRI: Ra \geq 90, \geq 95

Dimming: 0-10V/PWM/DALI(optional)

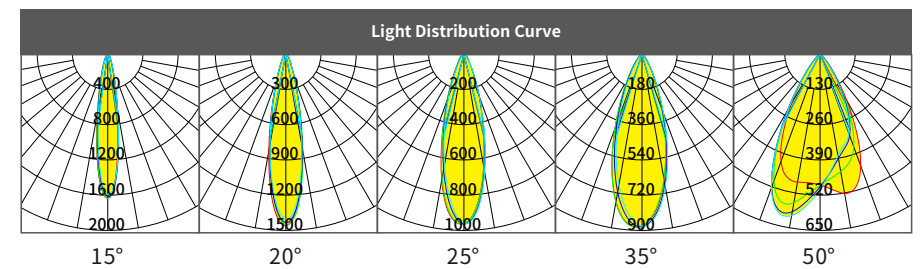
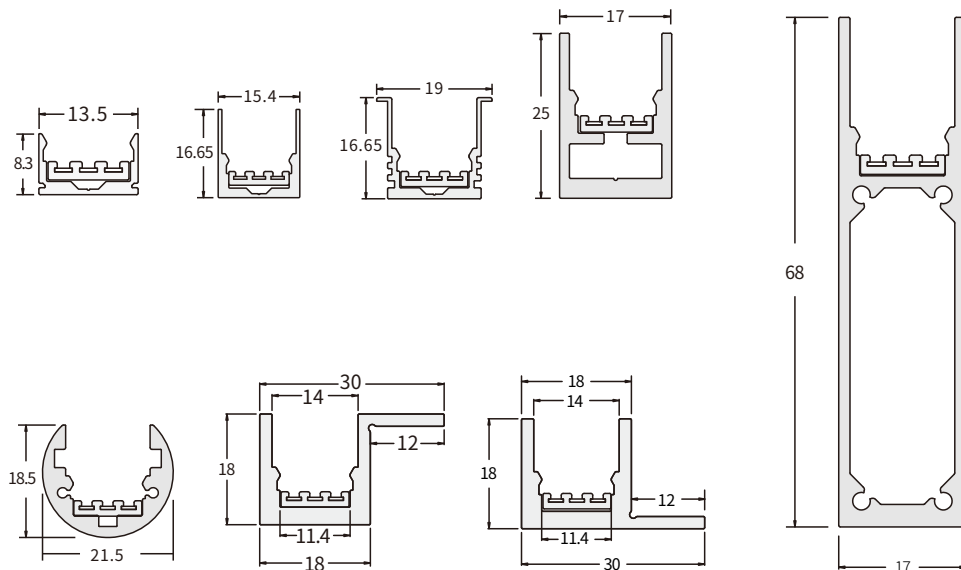
Beam Angle: 15°/20°/25°/35°/50°

Working temperature: 0~45°C

we suggest maximum connected power
not more than 100W



Suit for following power track

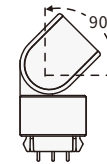


Track Optic Lisa

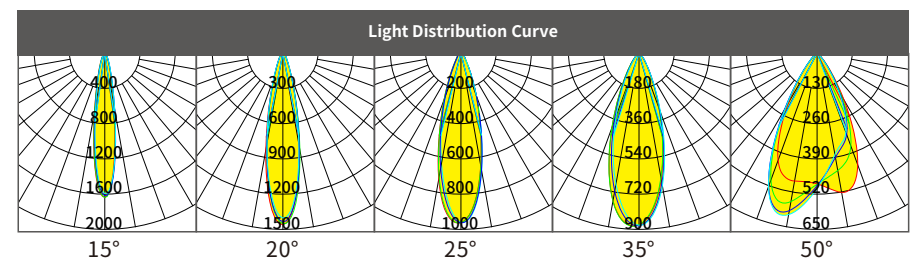
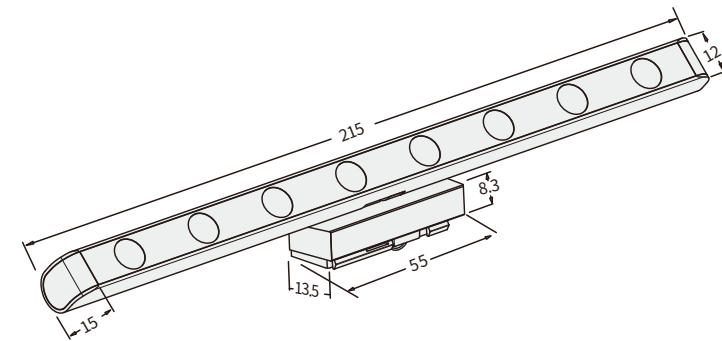
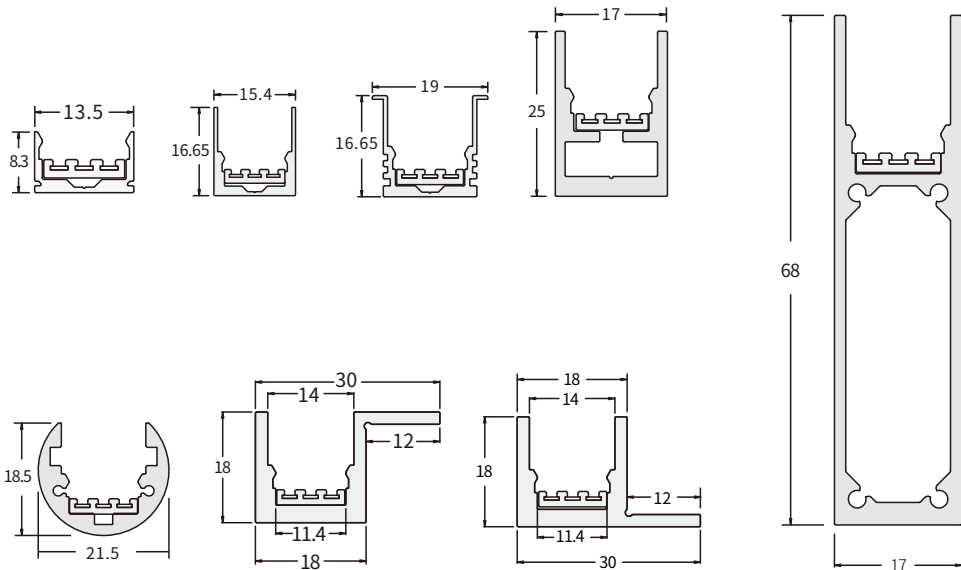


Mini track LED bar
 with different beam angle,
 Input voltage: DC24-48V
 Power: 5W
 Colors: 2700K/3000K/3500K/4000K/5000K/6500K
 CRI: Ra ≥ 90, ≥ 95
 Dimming: 0-10V/PWM/DALI (optional)
 Beam Angle: 15°/25°/35°/55°
 Working temperature: 0~45°C

we suggest maximum connected power
 not more than 100W



Suit for following power track



Track Spot Mini 1

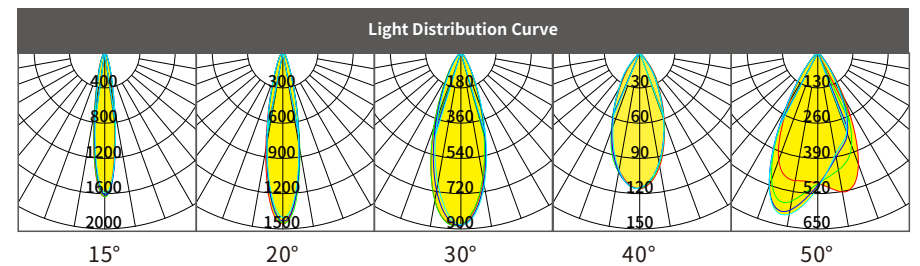
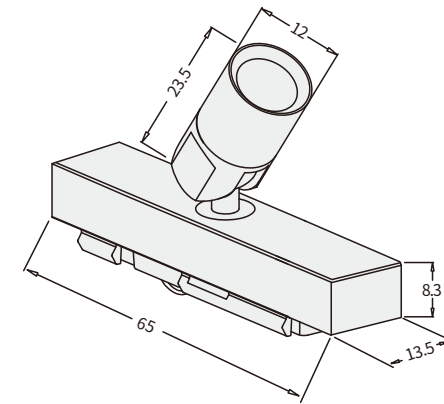
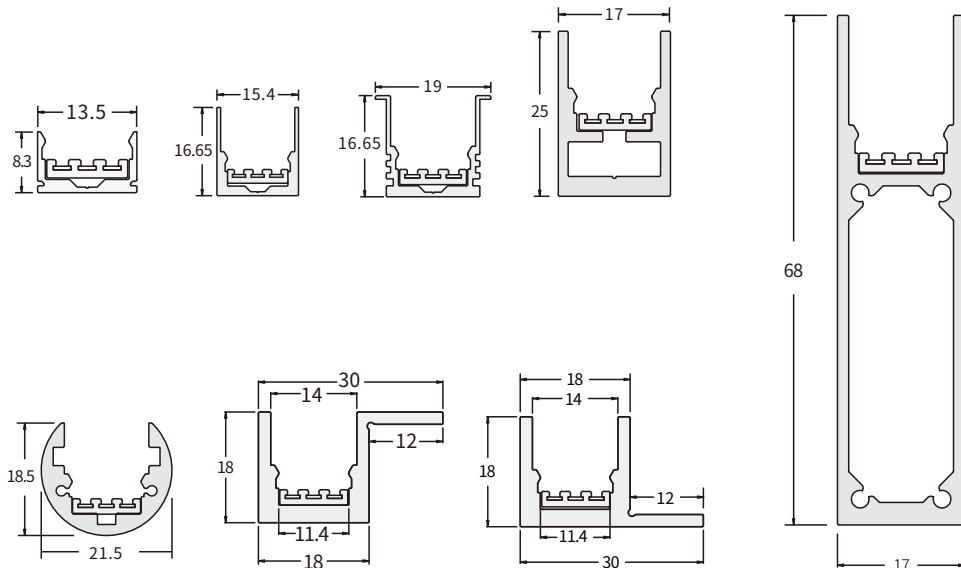


Ultra mini track spot light
with different beam angle,
Anti-glare design
Input voltage: DC24-48V
Power: 1.2W
Colors: 2700K/3000K/3500K/4000K/5000K/6500K
CRI: $Ra \geq 90$, ≥ 95
Dimming: 0-10V/PWM/DALI(optional)
Beam Angle $Ra \geq 90$: 20°/35°/50°
 $Ra \geq 95$: 15°/30°/40°
Working temperature: 0~45°C

we suggest maximum connected power
not more than 100W



Suit for following power track



Spot Mini 2



Ultra mini track spot light
with different beam angle,
Anti-glare design

Input voltage: DC24-48V

Power: 2W

Colors: 2700K/3000K/3500K/4000K/5000K/6500K

CRI: Ra \geq 90, \geq 95

Dimming: 0-10V/PWM/DALI (optional)

Beam Angle Ra \geq 90: 20°/35°/50°

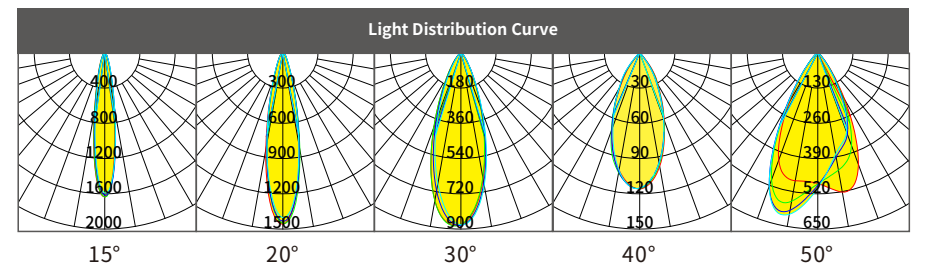
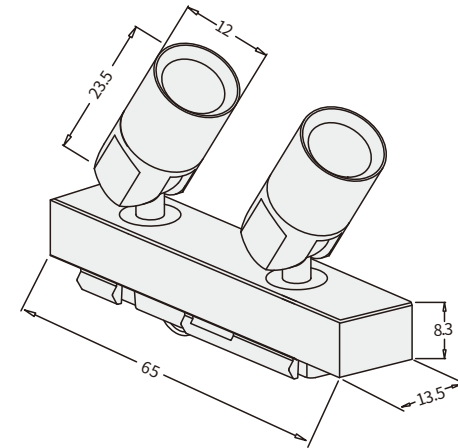
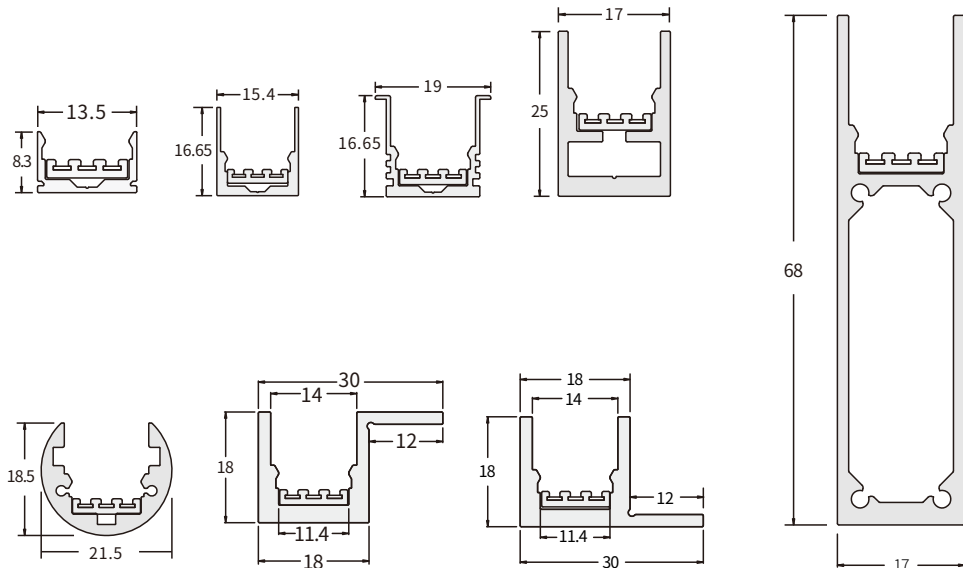
Ra \geq 95: 15°/30°/40°

Working temperature: 0~45°C

we suggest maximum connected power
not more than 100W



Suit for following power track



Track Spot Mido

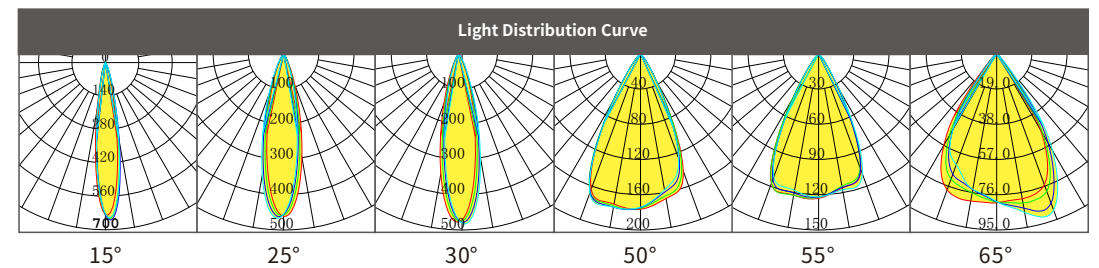
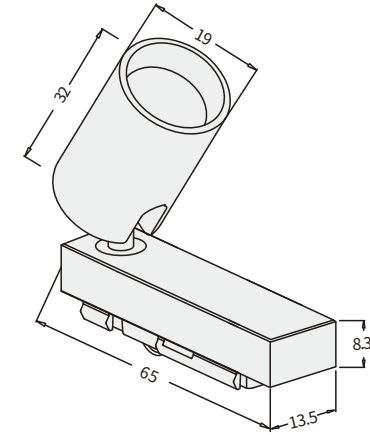
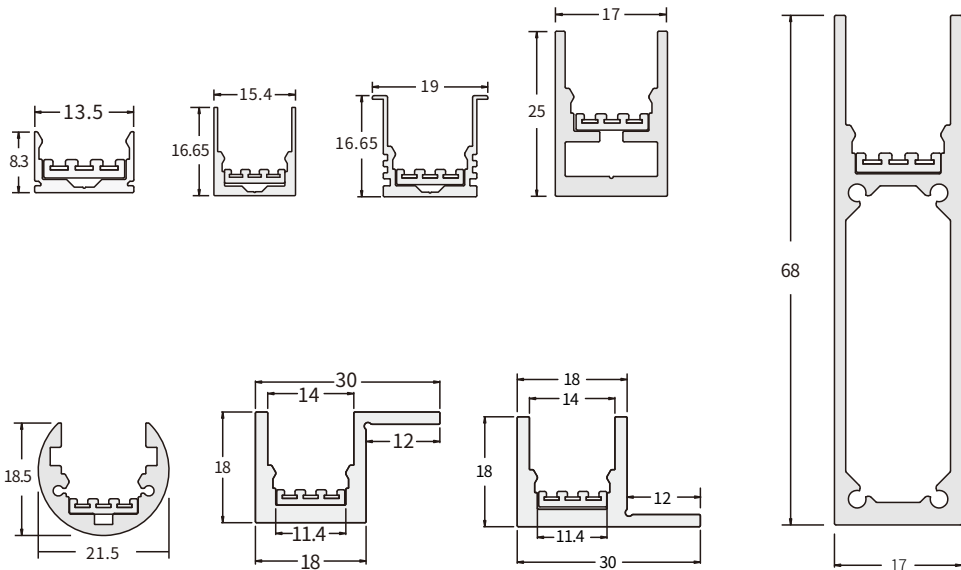


Mini track spot light
 with different beam angle,
 Anti-glare design
 Input voltage: DC24-48V
 Power: 1.5W
 Colors: 2700K/3000K/3500K/4000K/5000K/6500K
 CRI: Ra \geq 90, \geq 95
 Dimming: 0-10V/PWM/DALI(optional)
 Beam Angle Ra \geq 90: 15°/30°/50°
 Ra \geq 95: 15°/25°/55°/60°
 Working temperature: 0~45°C

we suggest maximum connected power
 not more than 100W



Suit for following power track

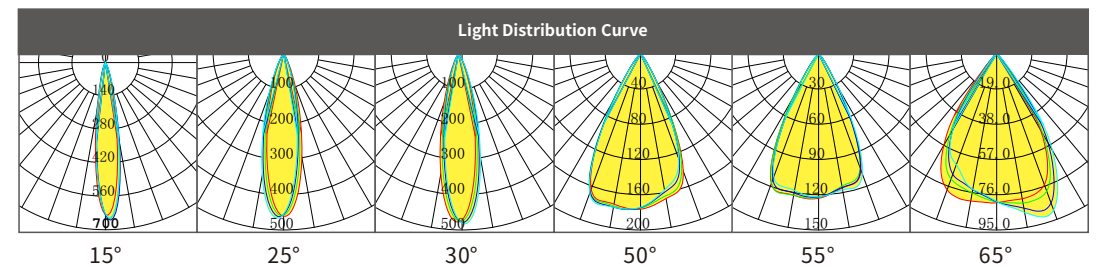
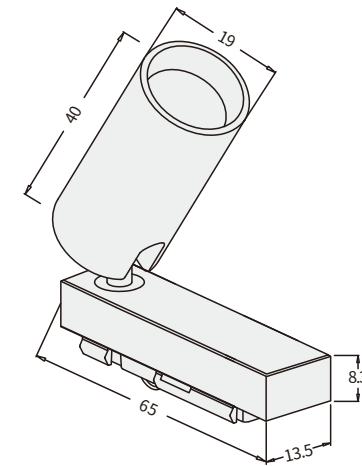
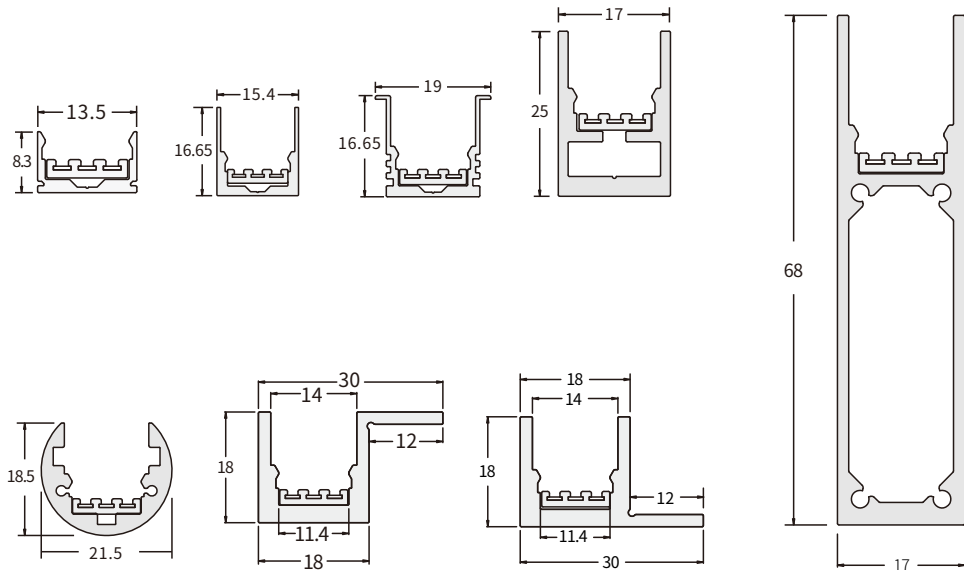


Track Spot Mina

mini track spot light
 with different beam angle, Anti-glare design
 an ideal product for display and museum lighting
 Input voltage: DC24-48V
 Power: 2W
 Colors: 2700K/3000K/3500K/4000K/5000K/6500K
 CRI: $Ra \geq 90, \geq 95$
 Dimming: 0-10V/PWM/DALI(optional)
 Beam Angle $Ra \geq 90$: 15° /30°/50°
 $Ra \geq 95$: 15°/25°/55°/60°
 Working temperature: 0~45°C



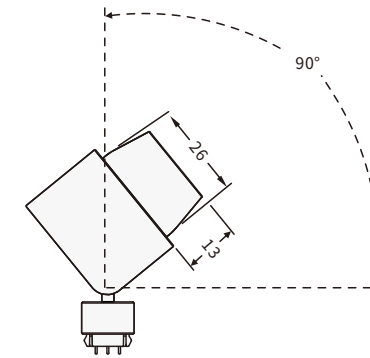
Suit for following power track



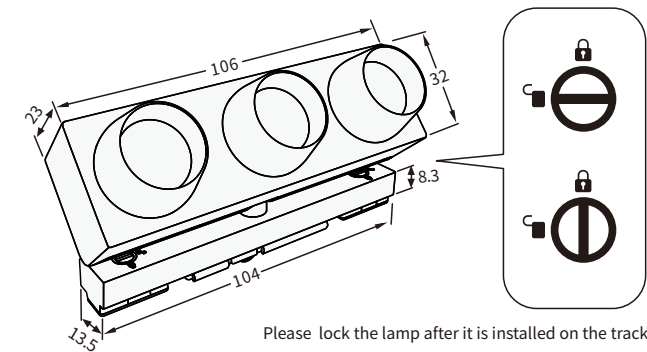
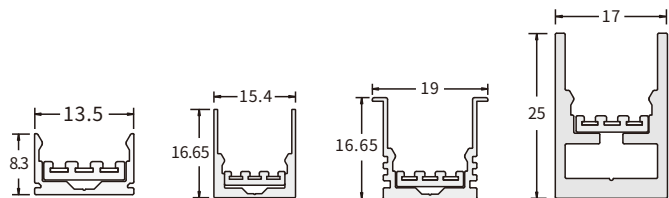
Track 3 Spot

Track 3 Spot light
 with different beam angle,
 Anti-glare design
 Input voltage: DC24-48V
 Power: 6W
 Colors: 2700K/3000K/3500K/4000K/5000K/6500K
 CRI: Ra \geq 90, \geq 95
 Dimming: 0-10V/PWM/DALI (optional)
 Beam Angle Ra \geq 90: 20°/30°/35°/45°
 Working temperature: 0~45°C

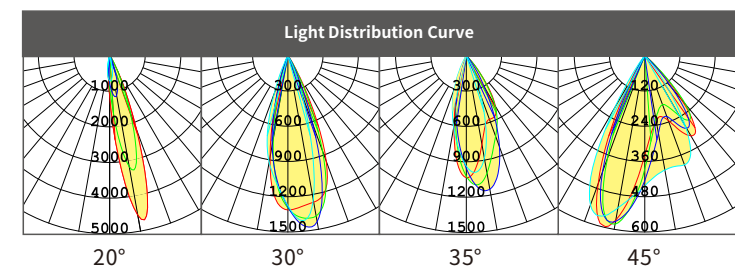
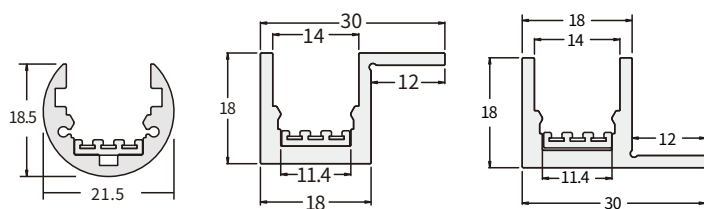
we suggest maximum connected power
 not more than 100W



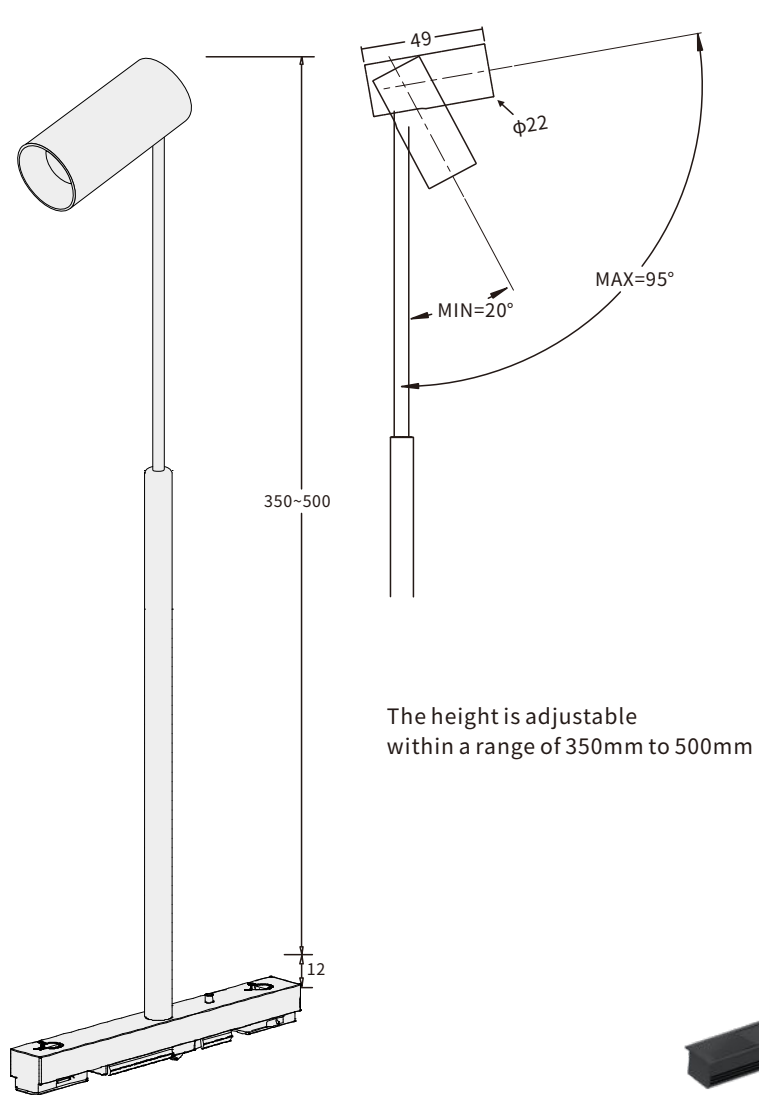
Suit for following power track



Please lock the lamp after it is installed on the track



Spot Fima 2249



Track spotlight with different beam angles,
 Designed with independent dimming switches for each light,
 allowing for individual on/off control and dimming.
 Input voltage: DC24V
 Power: 2W
 Colors: 2700K/3000K/3500K
 4000K/5000K/6500K
 CRI: Ra ≥ 90, ≥ 95
 Beam Angle: 15° / 25° / 55°
 Working temperature: 0~45°C
 we suggest maximum connected power
 not more than 100W

Spot Fima 2860



Track spotlight with different beam angles,
 Designed with independent dimming switches for each light,
 allowing for individual on/off control and dimming.
 Input voltage: DC24V
 Power: 4W
 Colors: 2700K/3000K/3500K
 4000K/5000K/6500K
 CRI: Ra ≥ 90, ≥ 95
 Beam Angle: 20° / 30°
 Working temperature: 0~45°C
 we suggest maximum connected power
 not more than 100W

Track Spot Mika 4240



Track spot light
with different beam angle, Anti-glare design
an ideal product for display and museum lighting

Input voltage: DC24-48V

Power: 4W

Colors: 2700K/3000K/3500K/4000K/5000K/6500K

CRI: Ra \geq 90, \geq 95

Dimming: 0-10V/PWM/DALI (optional)

Beam Angle Ra \geq 90: 14°/22°/60°

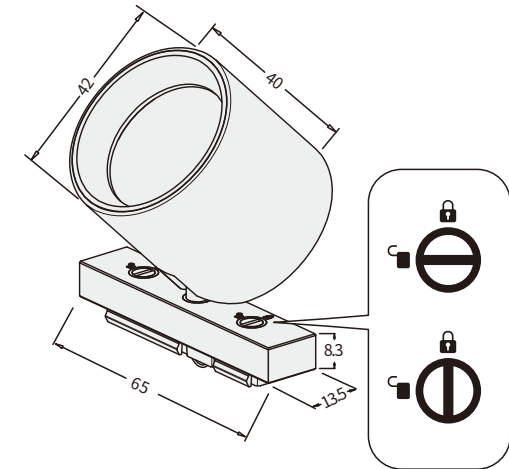
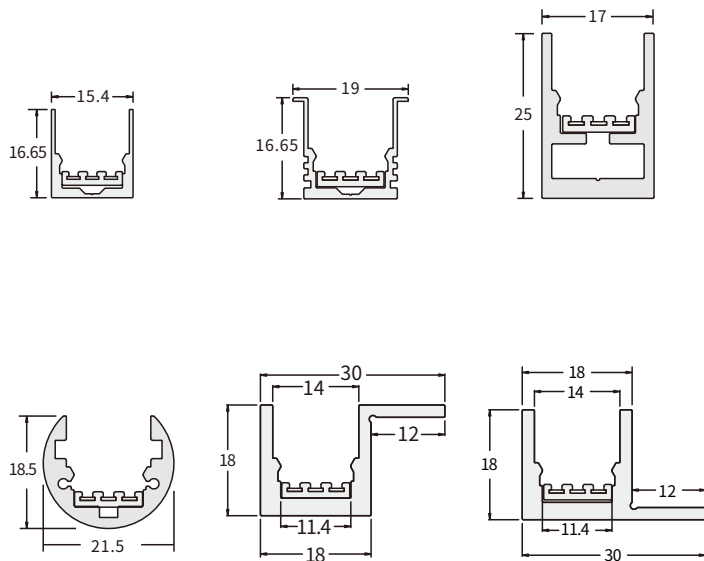
Ra \geq 95: 14°/22°/30°

Working temperature: 0~45°C

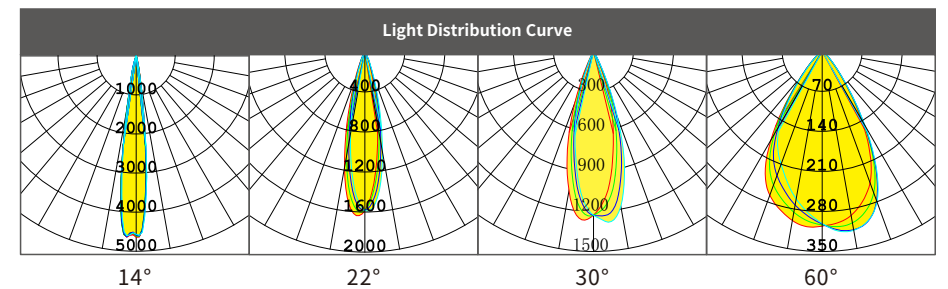
we suggest maximum connected power
not more than 100W



Suit for following power track



Please lock the lamp after it is installed on the track



Track Spot Mika 4255

Track spot light

with different beam angle, Anti-glare design

an ideal product for display and museum lighting

Input voltage: DC24-48V

Power: 5W

Colors: 2700K/3000K/3500K/4000K/5000K/6500K

CRI: Ra \geq 90, \geq 95

Dimming: 0-10V/PWM/DALI(optional)

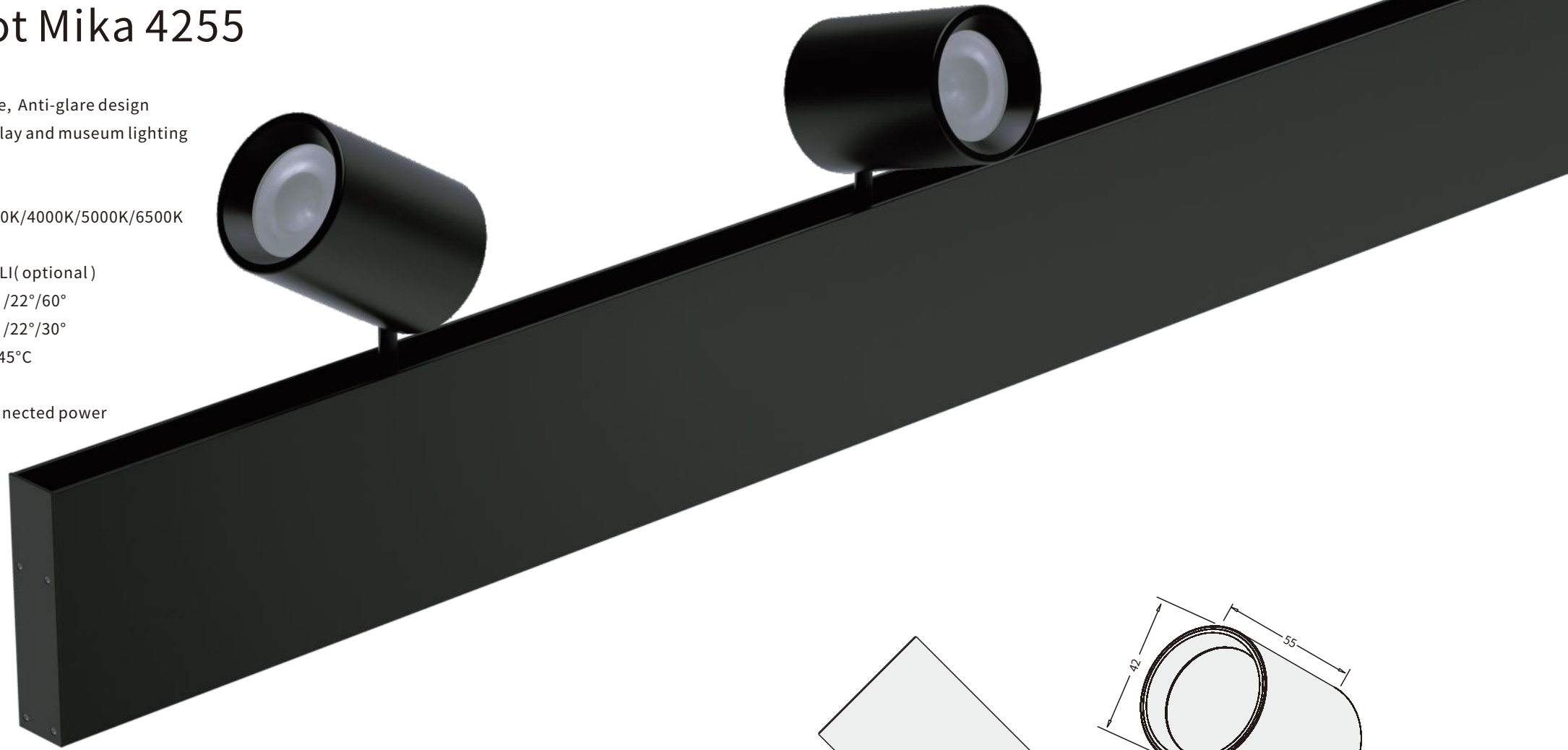
Beam Angle Ra \geq 90: 14° /22°/60°

Ra \geq 95: 14° /22°/30°

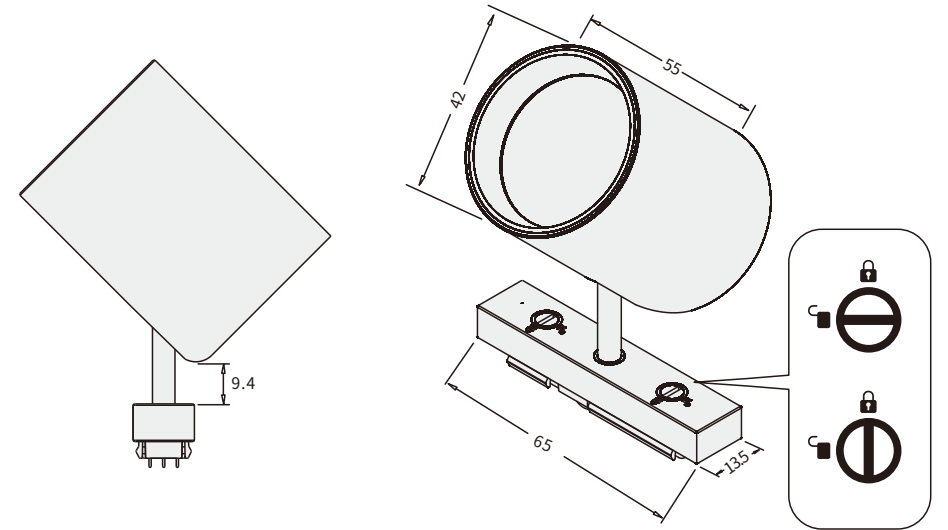
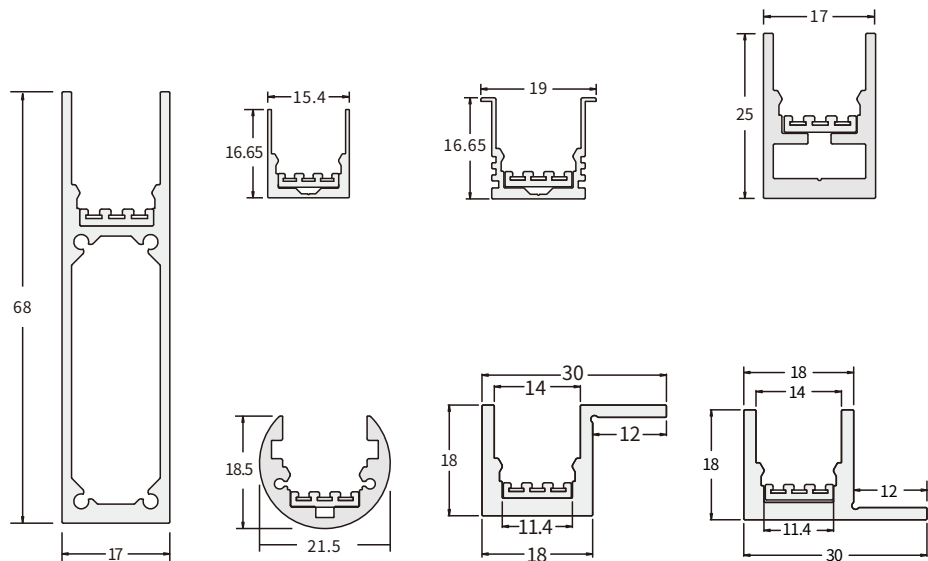
Working temperature: 0~45°C

we suggest maximum connected power

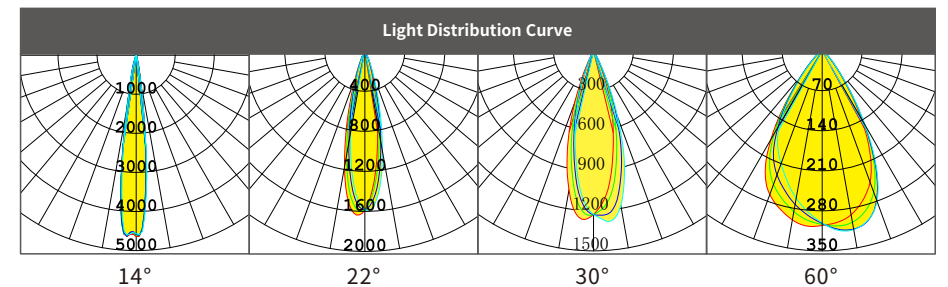
not more than 100W



Suit for following power track



Please lock the lamp after it is installed on the track



Track Spot Mika4280

Track spot light

with different beam angle, Anti-glare design

an ideal product for light up small area

Input voltage: DC24-48V

Power: 6W

Colors: 2700K/3000K/3500K

4000K/5000K/6500K

CRI: $R_a \geq 90$, ≥ 95

Dimming: 0-10V/PWM/DALI (optional)

Beam Angle $R_a \geq 90$: 10°/16°/25°/60°

$R_a \geq 95$: 16°/20°/25°

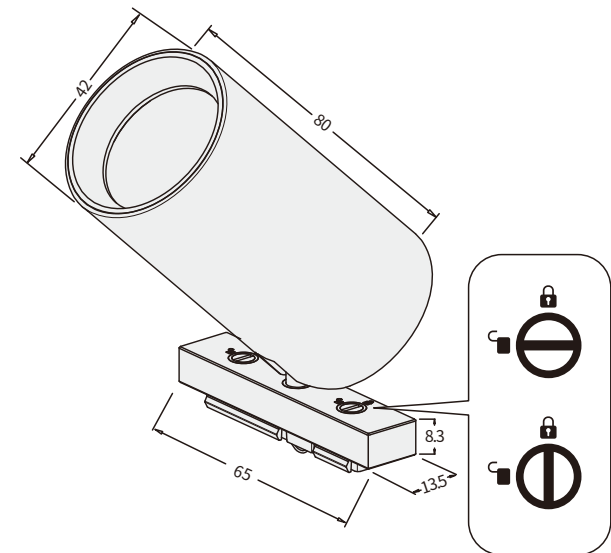
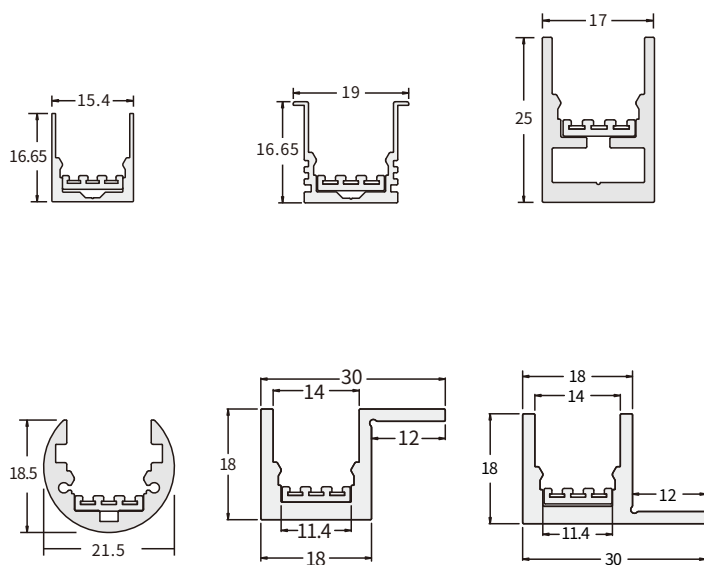
Working temperature: 0~45°C

we suggest maximum connected power

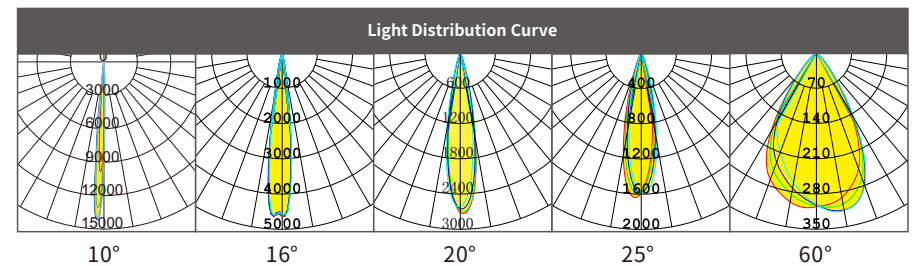
not more than 100W



Suit for following power track



Please lock the lamp after it is installed on the track



Track Zoom Spot Mika5560

Track Zoom Spot Mika5560

The beam angle is adjustable from 10-35°,
an ideal product for display and museum lighting

Input voltage: DC24-48V

Power: 6W

Colors: 2700K/3000K/3500K

4000K/5000K/6500K

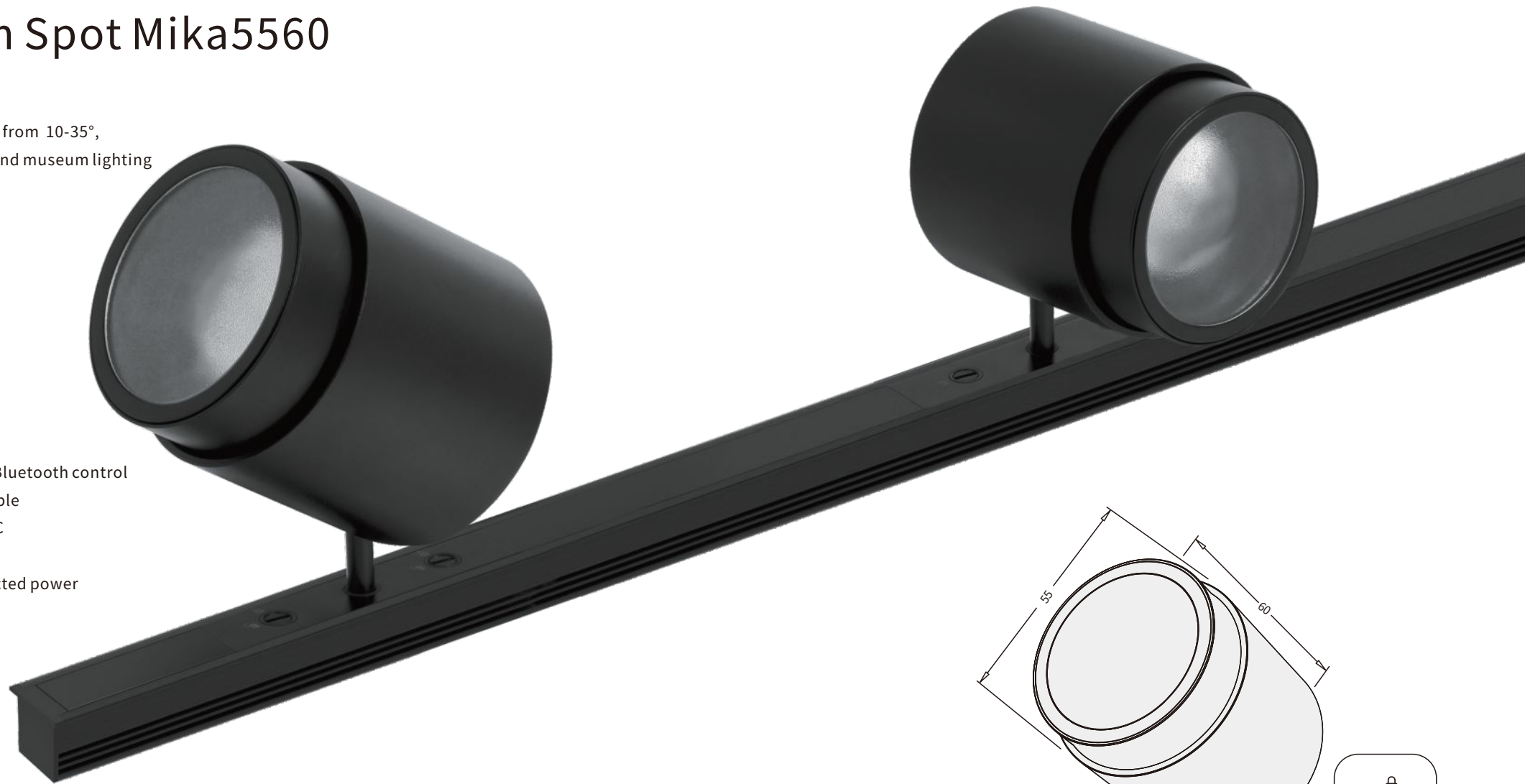
CRI: ≥ 95

Dimming: 0-10V/PWM/DALI/Bluetooth control

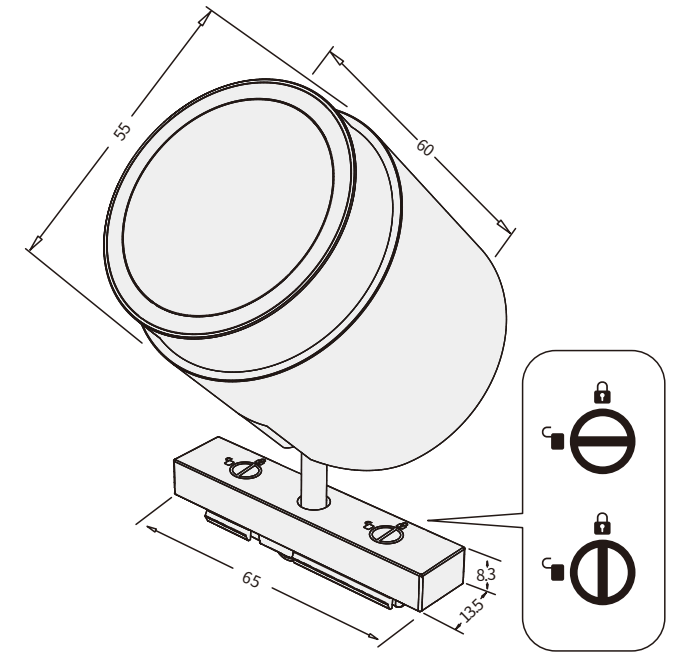
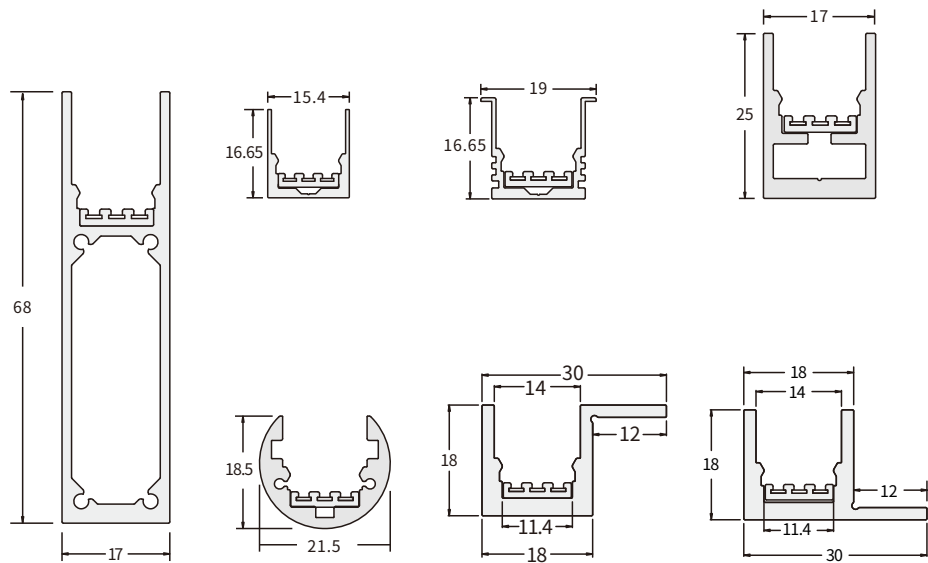
Beam Angle :10°~35° adjustable

Working temperature: 0~45°C

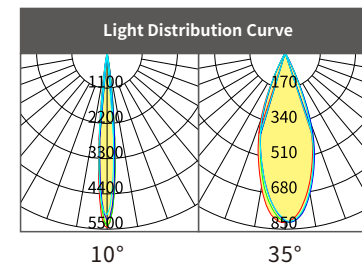
we suggest maximum connected power
not more than 100W



Suit for following power track



Please lock the lamp after it is installed on the track



Track Silicon Fabric LED Rope TSF22

Track silicon fabric LED rope Suitable for indoor decoration
Maximum 5 meter length

Input voltage:DC24V

Power: 10W/m

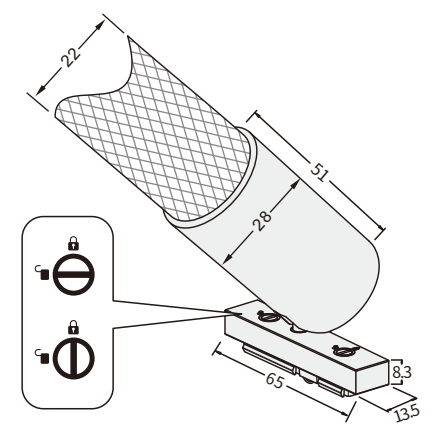
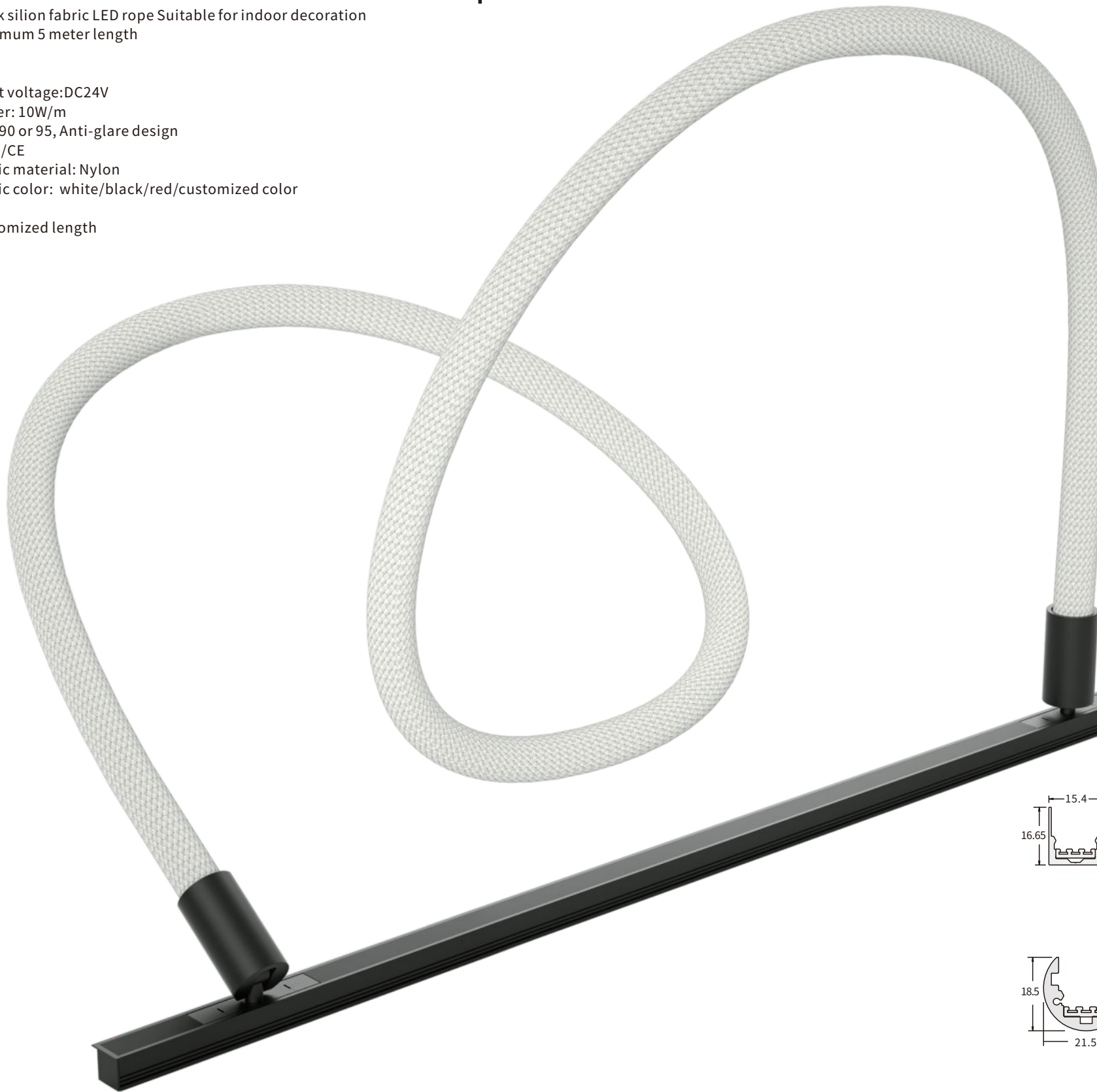
Ra \geq 90 or 95, Anti-glare design

Rohs/CE

Fabric material: Nylon

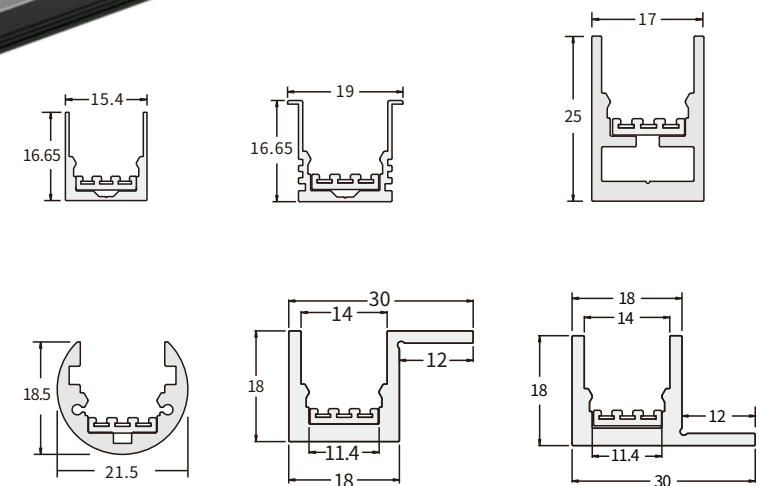
Fabric color: white/black/red/customized color

Customized length



Please lock the lamp after it is installed on the track

Suit for following power track



Bluetooth Controlled Switch

Control lights with Bluetooth.
Turn them on/off, dim them,
and connect up to 50 fixtures within 5-10 meters.



Single lamp control switch

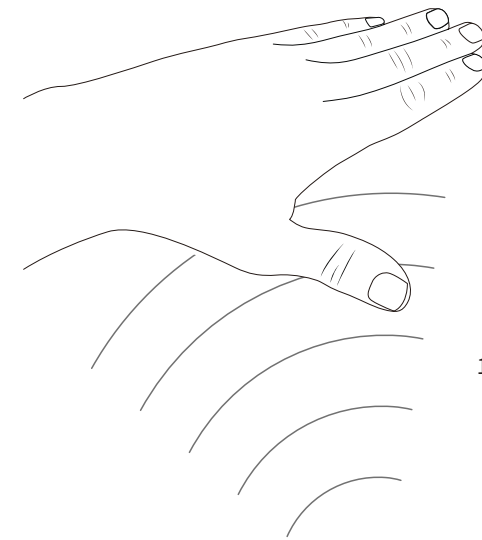
On / off: push the button on the base of lamp
Dimming : push the button for a while

Application: suit for the area have high requirement
for light output, for example, museum lighting

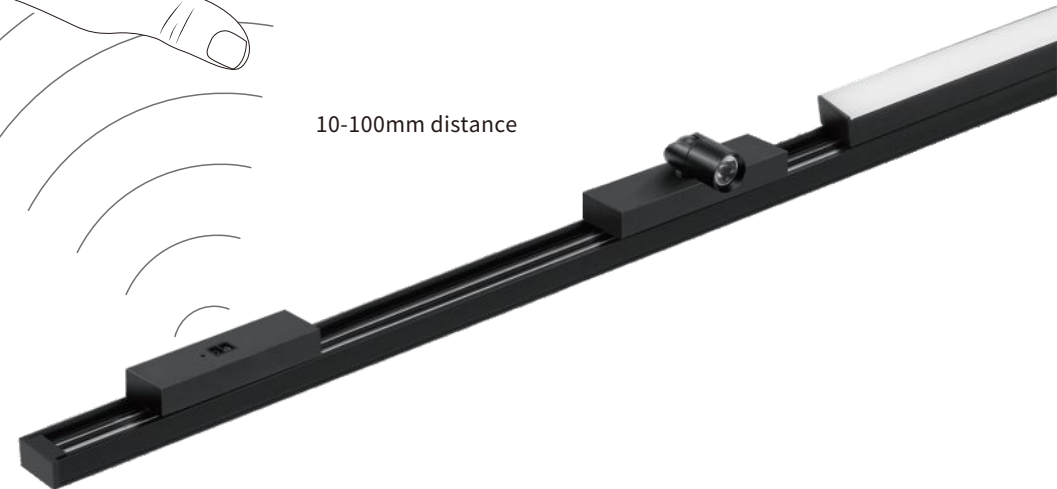


Hand wave smart switch

On/Off: wave hand softly within 10-100mm distance
from the sensor.
Dimming : keep the hand for some time
within 10-100mm distance from the sensor
Connect up to 30 fixtures





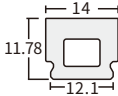


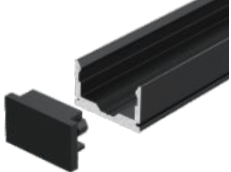
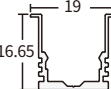


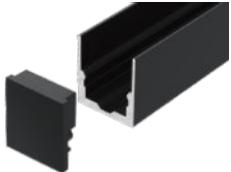
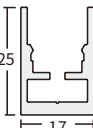

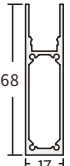

10-100mm distance

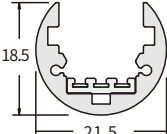

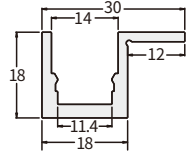

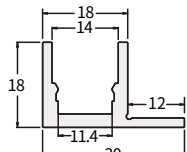



Part No. 8.026.305
24-48V 0-10V Dimming 5%-100%

Model	Dimension	Input voltage	Power	Colors	CRI	Beam Angle
 LILY300	300mm	24V-48V	2.5W	2700K/3000K 3500K/4000K 5000K/6500K	Ra ≥90, ≥95	110°
 LINA300 (Asymmetric)	300mm	24V-48V	3W	2700K/3000K 3500K/4000K 5000K/6500K	Ra ≥90, ≥95	70°Asymmetrical
 LISA215A	215mm	24V-48V	5W	2700K/3000K 3500K/4000K 5000K/6500K	Ra ≥90, ≥95	15°/25°/35°/55°
 LINO	300mm 590mm 890mm 1190mm	24V	4W 8W 10W 12W	2700K/3000K 3500K/4000K 5000K/6500K	Ra ≥90, ≥95	15°/20°/25°/35°/55°
 LINO-G	300mm 590mm 890mm 1190mm	24V	4W 8W 10W 12W	2700K/3000K 3500K/4000K 5000K/6500K	Ra ≥90, ≥95	15°/20°/25°/35°/55°
 MINI1	23.5*φ12mm	24V-48V	1.2W	2700K/3000K 3500K/4000K 5000K/6500K	Ra ≥90, ≥95	20°/35°/50°
 MINI2	23.5*φ12mm	24V-48V	2W	2700K/3000K 3500K/4000K 5000K/6500K	Ra ≥90, ≥95	20°/35°/50°
 MIDO1932	32*φ19mm	24V-48V	1.5W	2700K/3000K 3500K/4000K 5000K/6500K	Ra ≥90, ≥95	15°/30°/50°
 MINA1940	40*φ19mm	24V-48V	2W	2700K/3000K 3500K/4000K 5000K/6500K	Ra ≥90, ≥95	15°/30°/50°
 Track 3 Spot	106 *32*50mm	24V-48V	6W	2700K/3000K 3500K/4000K 5000K/6500K	Ra ≥90, ≥95	20° /30°/35°/45°

Model	Dimension	Input voltage	Power	Colors	CRI	Beam Angle
 FIMA 2249	49*φ22mm	24V	2W	2700K/3000K 3500K/4000K 5000K/6500K	Ra ≥90, ≥95	15°/25°/55°
 FIMA 2860	60*φ28mm	24V	4W	2700K/3000K 3500K/4000K 5000K/6500K	Ra ≥90, ≥95	20°/30°
 MIKA4240	40*φ42mm	24V-48V	4W	2700K/3000K 3500K/4000K 5000K/6500K	Ra ≥90, ≥95	14°/22°/60°
 MIKA4255	55*φ42mm	24V-48V	5W	2700K/3000K 3500K/4000K 5000K/6500K	Ra ≥90, ≥95	14°/22°/60°
 MIKA4280	80*φ42mm	24V-48V	6W	2700K/3000K 3500K/4000K 5000K/6500K	Ra ≥90, ≥95	10°/16°/25°/60°
 MIKA5560	60*φ55mm	24V-48V	6W	2700K/3000K 3500K/4000K 5000K/6500K	Ra ≥90, ≥95	10°-35°
 TSF22	Max 10m *φ22mm	24V	10W/m	2500K/2700K 3000K/4000K 6000K	Ra ≥90, ≥95	360°

Dimension	Picture	Description	Part No.
		TPR03	1.05.500.0052
		TPR03-SC1 Silicone cover For AL2/3/4/5/6	1.02.12.0015
		TPR03AL1 Aluminium housing	1.05.500.0054 (End cap: 1.02.04.99.0042)
		TPR03AL2 Aluminium housing	1.05.500.0055 (End cap: 1.02.04.99.0040)
		TPR03AL3 Aluminium housing	1.05.500.0066 (End cap: 1.02.04.99.0041)
		TPR03AL4 Aluminium housing	1.05.500.0068 (End cap: 1.01.04.99.0037) Self-tapping screws: 1.01.05.0209
		TPR03AL5 Aluminium housing (For MINI1, MINI2, LILY300, LINA300 & LINO)	1.05.500.0067 (End cap: 1.01.04.99.0029) Self-tapping screws: 1.01.05.0384

Dimension	Picture	Description	Part No.
		TPR03AL6 Aluminium housing	1.05.500.0065 (End cap: 1.02.04.99.0039)
		TPR03AL7 Aluminium housing	1.05.500.0076
		TPR03AL8 Aluminium housing	1.05.500.0074

Picture	Model	Description	Part No.
	TPP03 24V/48V Power Connector	Max Power:80w Cable Length: 500mm Different Cable Length Is Available	8.026.076
	TPP04 24V/48V Join Connector	Max Power:120w Cable Length: 500mm Different Cable Length Is Available	8.026.177
	TPC03 24V/48V Join Connector	Max connect power: 80W cable length: 50mm customized cable length is available	8.026.075
	TPC04 24V/48V Join Connector	Max Connect Power: 100w Cable Length: 50mm Customized Cable Length Is Available	8.026.212
	TPP07 24V-48V Hand Wave Smart	Max Power:100w Hand Ware Distance: 10-100mm Function:on/off Dimming	8.026.305
	TPP08 Single lamp control switch	function: on/off dimming	8.026.428
	TPP09 Bluetooth controlled switch	function: on/off dimming	8.026.429

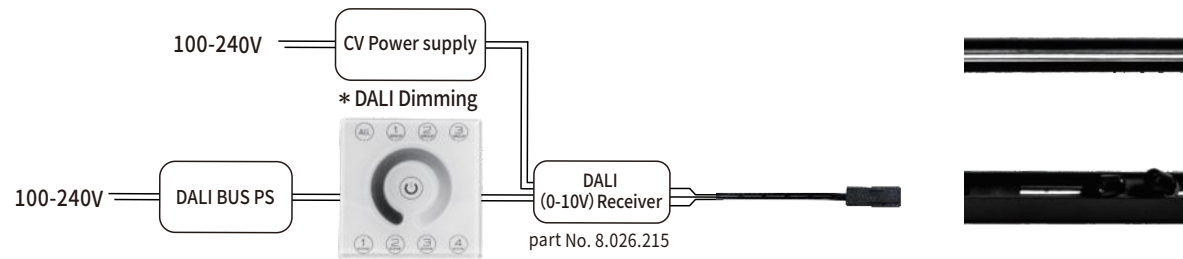
Picture	Model	Description	Part No.
		Rope system for hang up (For TPR03AL4/TPR03AL5)	2 meter length 1.01.06.0065
		Rope system for hang up (For TPR03AL6)	1.5 meter length 1.01.06.0033
Picture	Model	Part No.	
	LPV-35-24 24V 35W LED power supply	1.09.04.0029	
	SLT60 24V 60W LED power supply	1.09.04.0078	
	SLT100 24V 100W LED power supply	1.09.04.0079	
	SLT150 24V 150W LED power supply	1.09.04.0080	

Wiring Diagram For 24VDC/48VDC Track Light

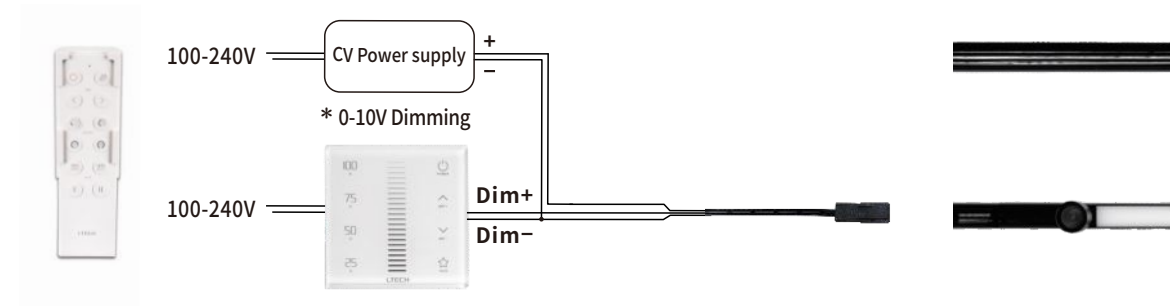
Wiring



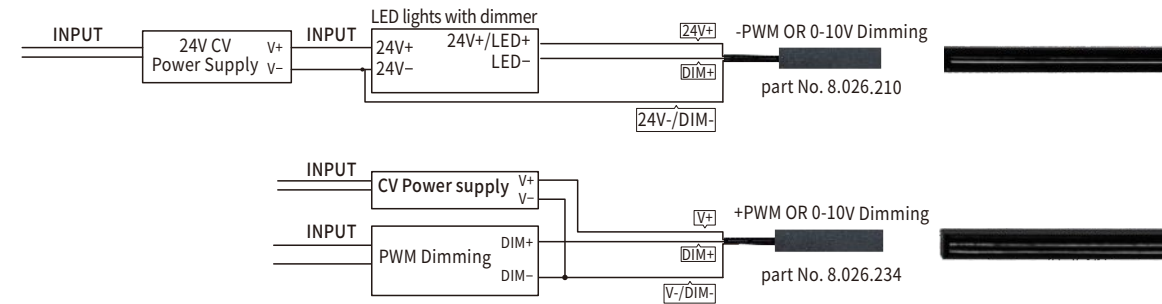
1. DALI Dimming



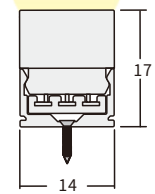
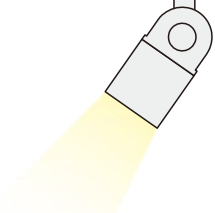
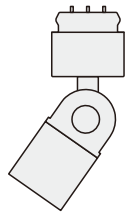
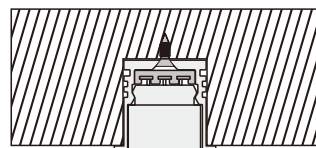
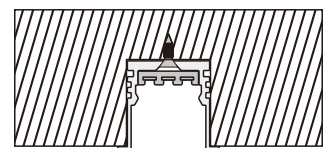
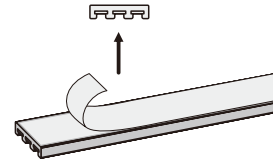
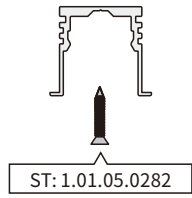
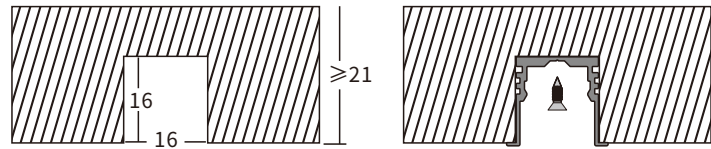
2. 0-10V Dimming



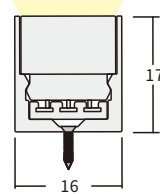
3. PWM Dimming



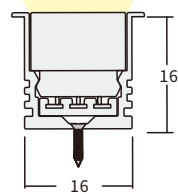
Installation Option



TPR03AL1

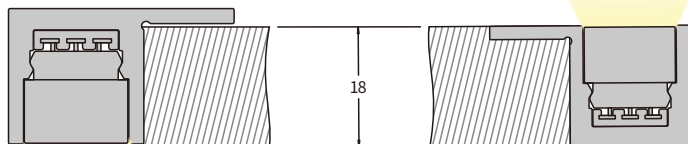


TPR03AL3



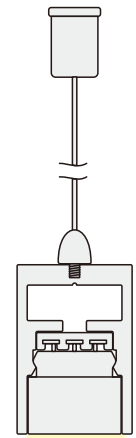
TPR03AL2

TPR03AL7

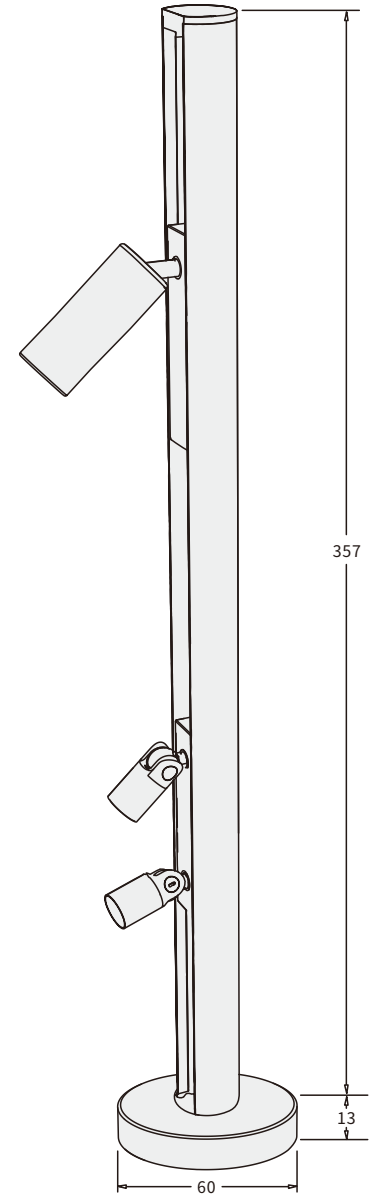
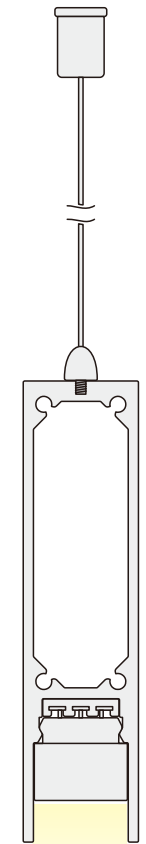


TPR03AL8

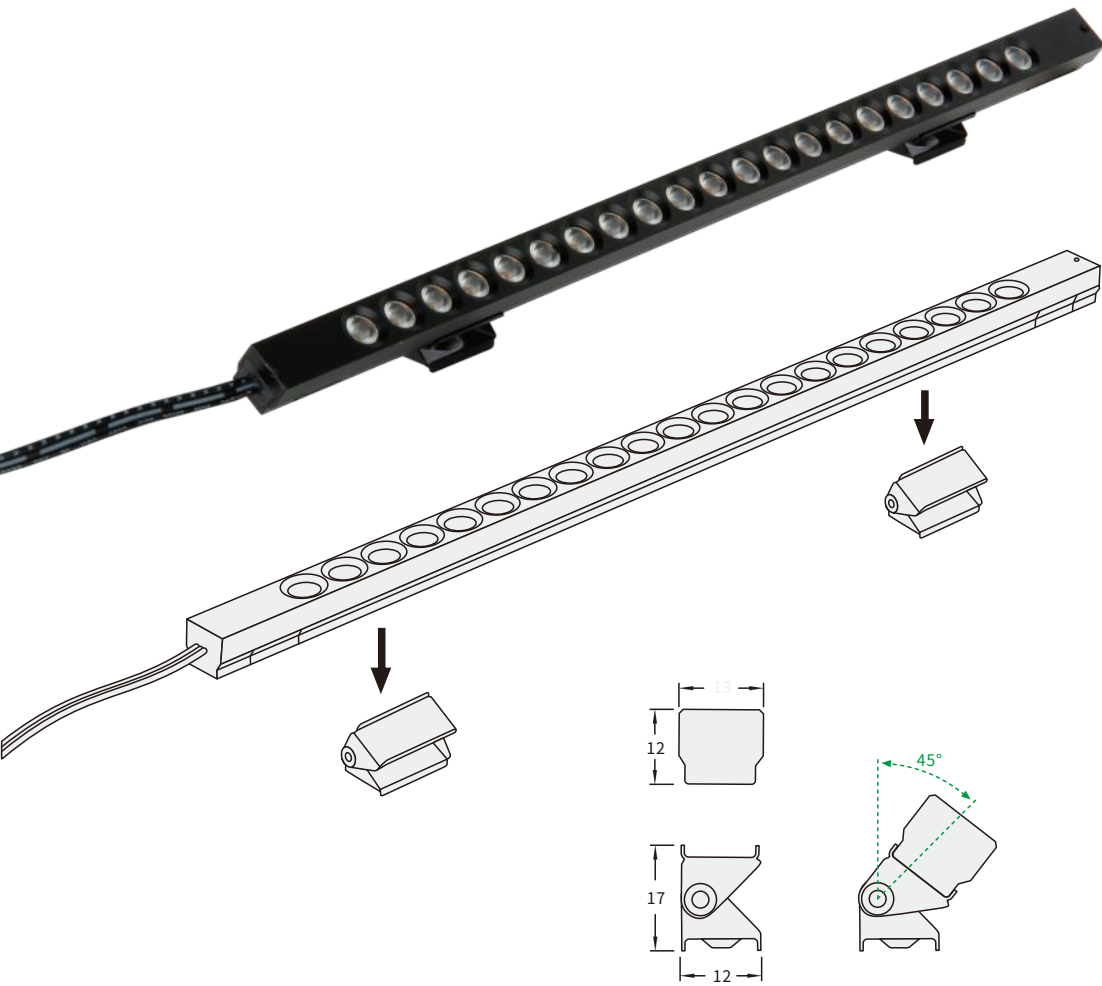
TPR03AL4



TPR03AL5



Jewelry Mini wall washer - M Lino



Magnetic LED Mini wall washer with different beam angle, an ideal products for display and museum lighting, different length is available on request.
 Input voltage: 24VDC
 Colors: 2700K/3000K/3500K
 4000K/5000K/6500K
 CRI: Ra \geq 90, \geq 95
 Dimming: 0-10V/PWM/DALI (optional)
 Beam Angle: 15° /20°/25° / 35°/50°
 Working temperature: 0~45°C

we suggest maximum connected power not more than 100W

Jewelry Track AL6

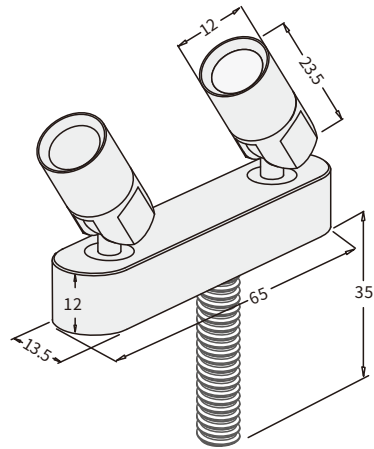


Low voltage Jewelry light with power track with different beam angle

an ideal product for display and museum lighting

we suggest maximum connected power not more than 100W

Jewelry Spot Mini2



Ultra mini2 Jewelry spot light
 with different beam angle
 an ideal product for display and museum lighting
 Input voltage: DC24-48V
 Power: 2 W
 Colors: 2700K/3000K/3500K
 4000K/5000K/6500K
 CRI: Ra ≥ 90, ≥ 95
 Dimming: 0-10V/PWM/DALI (optional)
 Beam Angle: 20°/35°/50°
 Working temperature: 0~45°C

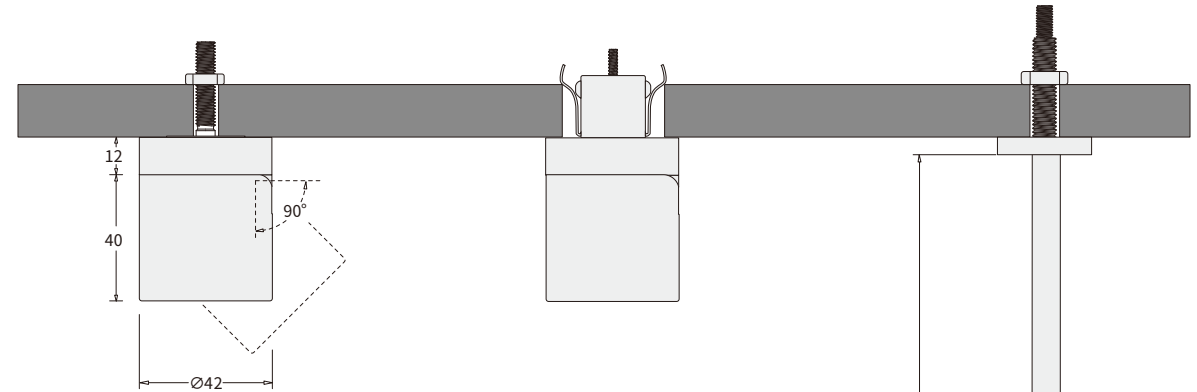
we suggest maximum connected power
 not more than 100W

Spot Mika

Spot Mika-W 4240

Spot MIKA-S 4240

Drop Spot light Mika 4240

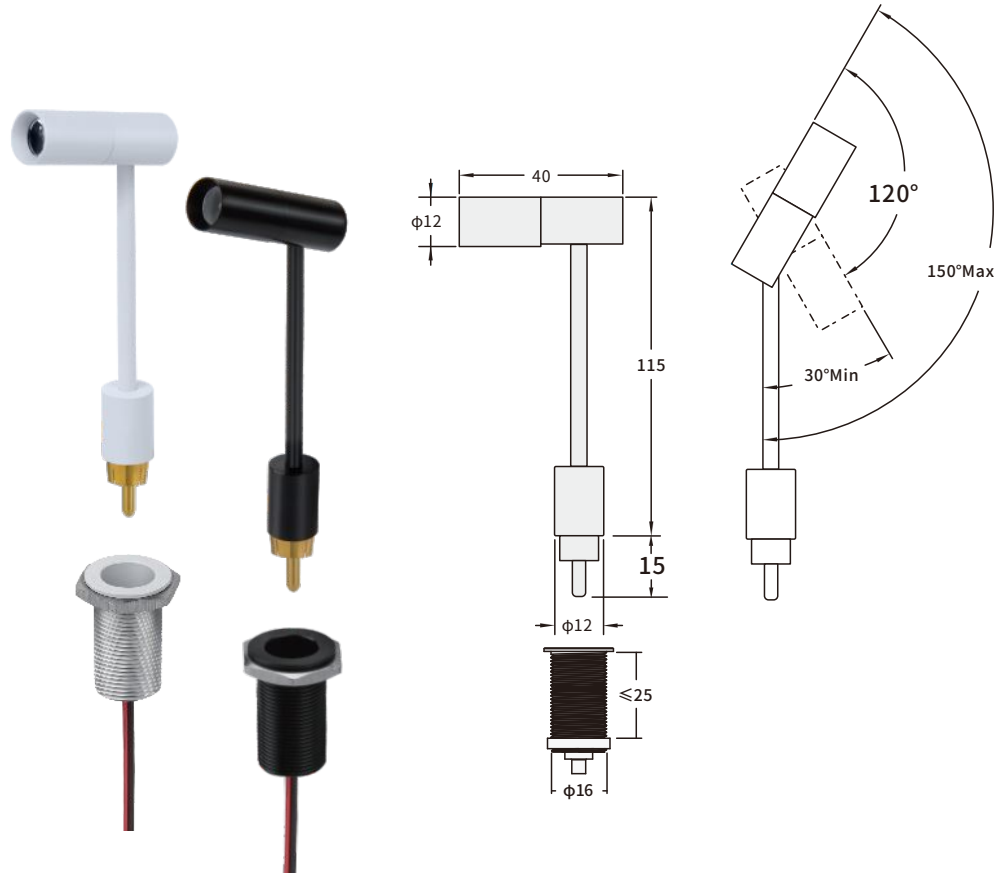


The height is adjustable
 within a range of
 1000mm to 1500mm

Jewelry spot light
 with different beam angle
 an ideal product for
 display and museum lighting
 Input voltage: DC24-48V
 Power: 4W
 Colors: 2700K/3000K/3500K
 4000K/5000K/6500K
 CRI: Ra ≥ 90, ≥ 95
 Dimming: 0-10V/PWM/DALI (optional)
 Beam Angle: 14°/22°/60°
 Working temperature: 0~45°C

we suggest maximum connected power
 not more than 100W

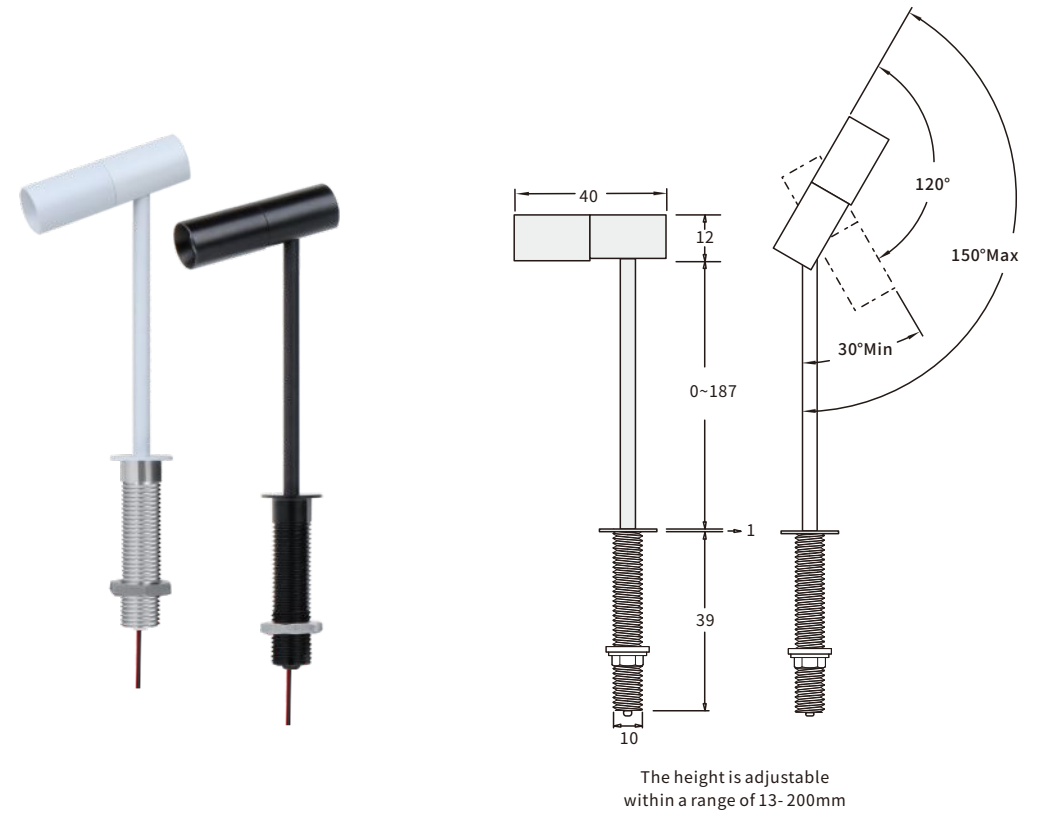
Jewelry Spot Fiya



ultra mini Jewelry spot light
 different beam angle, with RAC connector,
 easy to install and easy to change
 an ideal product for display and museum lighting
 Input voltage: 24VDC
 Power: 2W
 Colors: 2700K/3000K/3500K
 4000K/5000K/6500K
 CRI: Ra \geq 90, \geq 95
 Dimming: 0-10V/PWM/DALI(optional)
 Beam Angle: 20°/ 35°/ 50°
 Working temperature: 0~45°C

we suggest maximum connected power
 not more than 100W

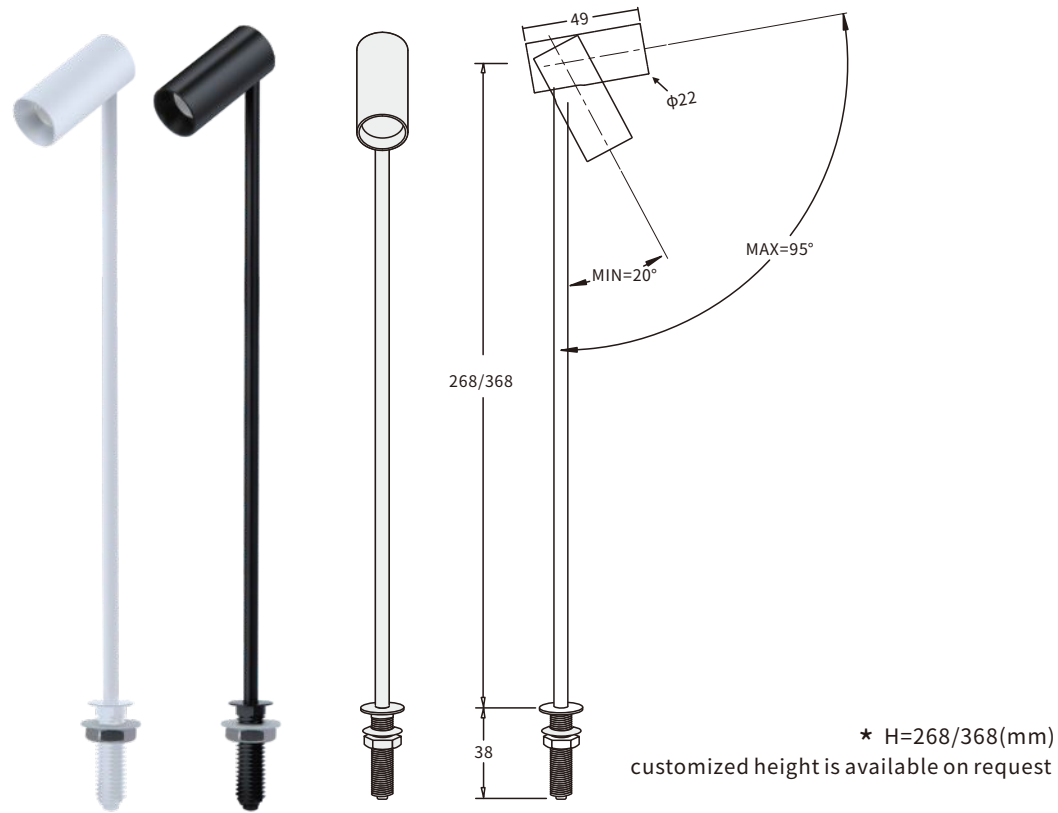
Jewelry Spot Fiya-s



ultra mini Jewelry spot light
 different beam angle, with adjustable pole
 an ideal product for display and museum lighting
 Input voltage: 24VDC
 Power: 2W
 Colors: 2700K/3000K/3500K
 4000K/5000K/6500K
 CRI: Ra \geq 90, \geq 95
 Dimming: 0-10V/PWM/DALI(optional)
 Beam Angle: 20° / 35° / 50°
 Working temperature: 0~45°C

we suggest maximum connected power
 not more than 100W

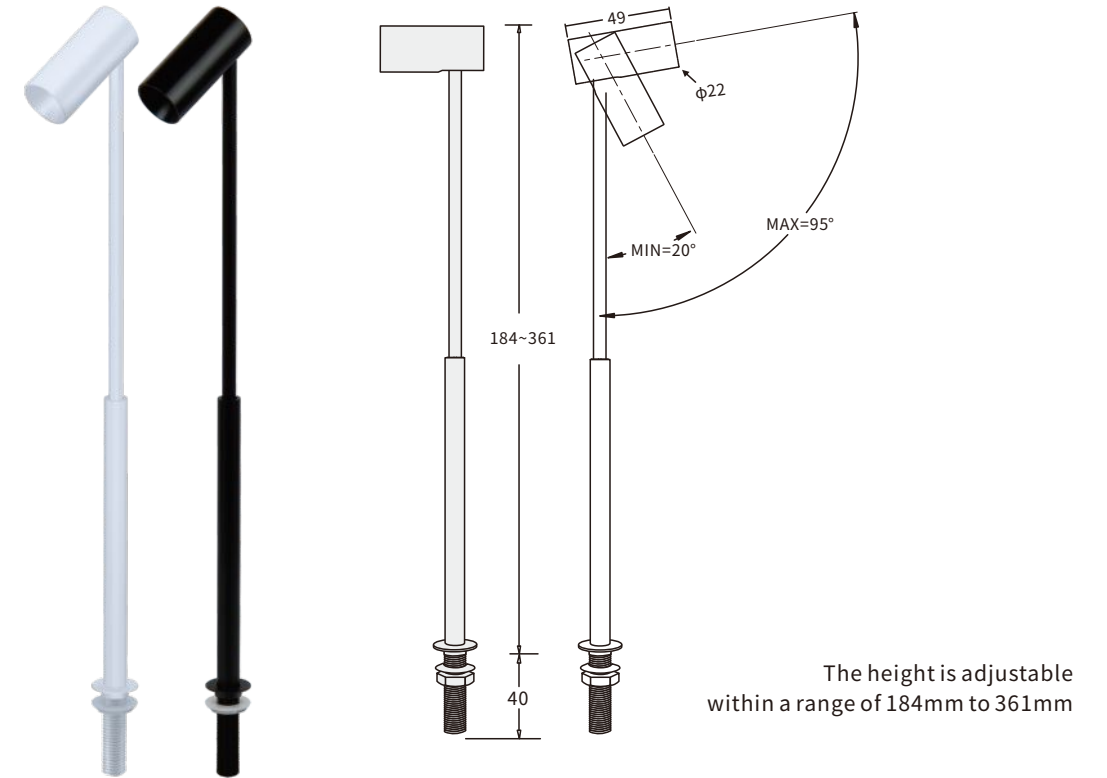
Jewelry Spot Fima



Low voltage Jewelry spot light
with different beam angle
an ideal product for display and museum lighting
Input voltage: DC24V
Power: 2W
Colors: 2700K/3000K/3500K
4000K/5000K/6500K
CRI: Ra \geq 90, \geq 95
Dimming: 0-10V/PWM/DALI (optional)
Beam Angle: 15° /25° /55°
Working temperature: 0~45°C

we suggest maximum connected power
not more than 100W

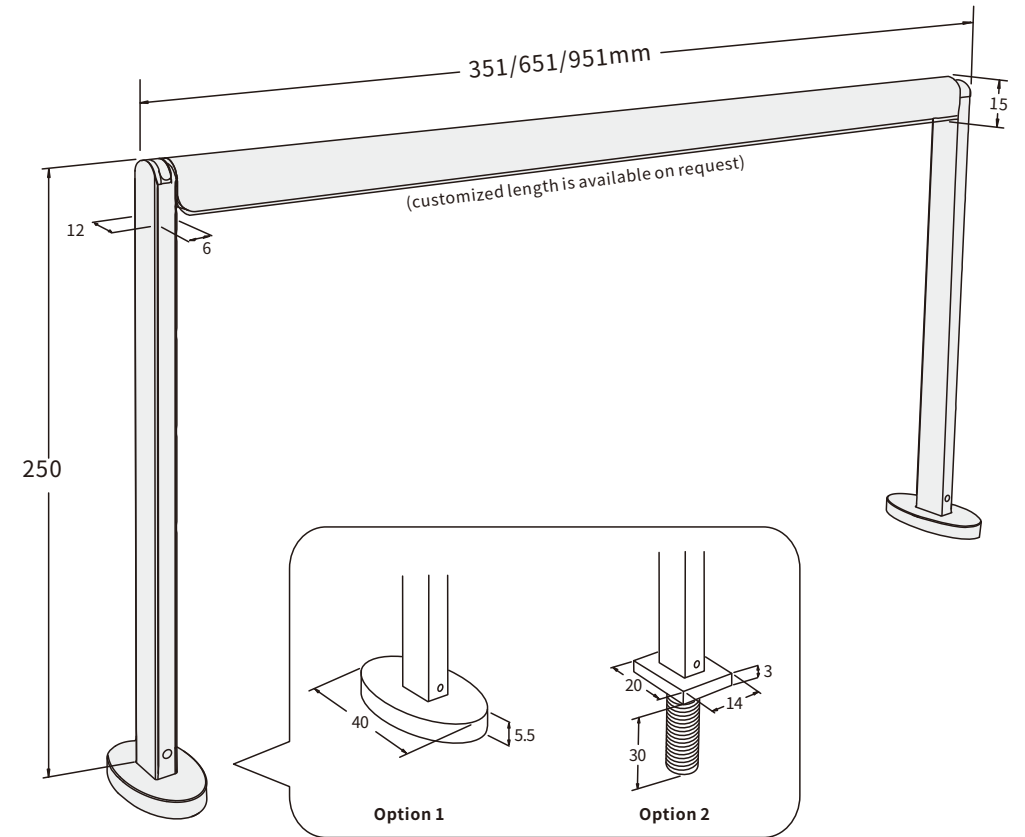
Jewelry Spot Fima-s



Low voltage Jewelry spot light
with different beam angle
an ideal product for display and museum lighting
Input voltage: DC24V
Power: 2W
Colors: 2700K/3000K/3500K
4000K/5000K/6500K
CRI: Ra \geq 90, \geq 95
Dimming: 0-10V/PWM/DALI (optional)
Beam Angle: 15° /25° /55°
Working temperature: 0~45°C

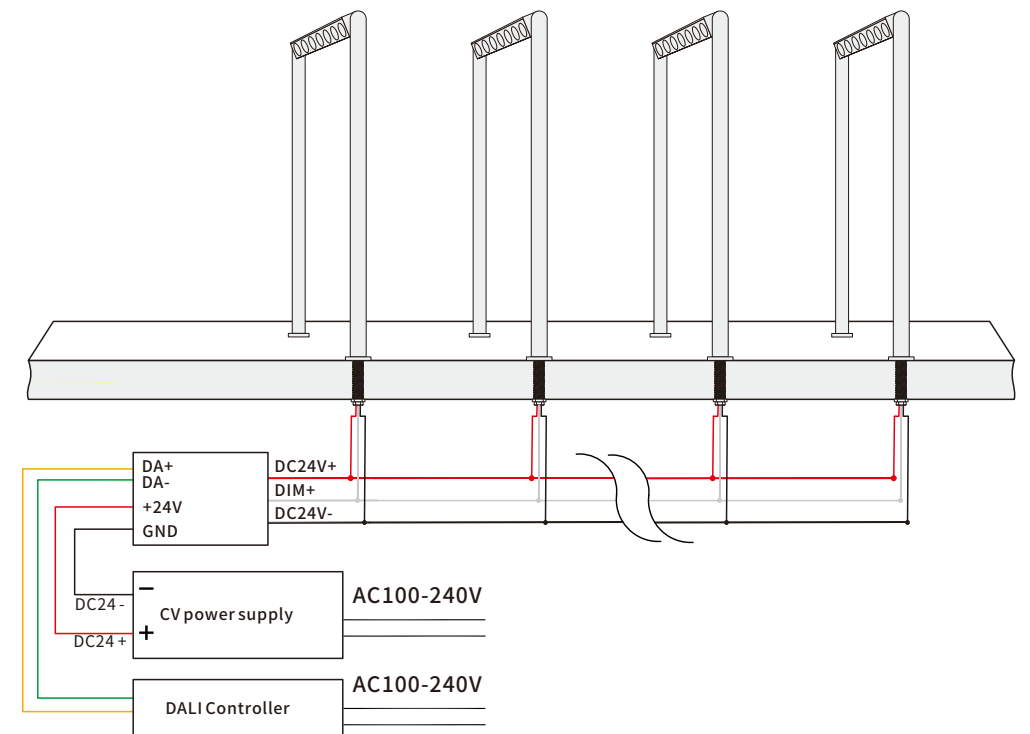
we suggest maximum connected power
not more than 100W

Jewelry Optic Fika

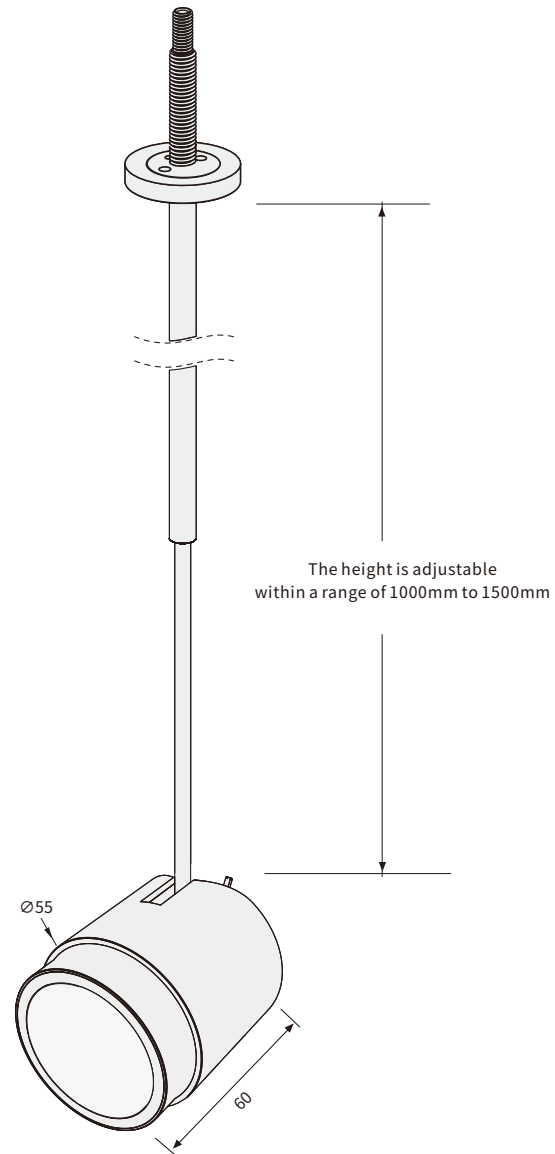


Low voltage Jewelry light Bar
with different beam angle
an ideal product for display and museum lighting
Input voltage: DC24V
Power: 4.5W(351mm)/9W(651mm)/13.5(951mm)
Colors: 2700K/3000K/3500K
4000K/5000K/6500K
CRI: $R_a \geq 90, \geq 95$
Dimming: 0-10V/PWM/DALI(optional)
Beam Angle: 20°/30° / 35° / 50°
Working temperature : 0~45°C

we suggest maximum connected power
not more than 100W



Drop Zoom Spot light Mika5560

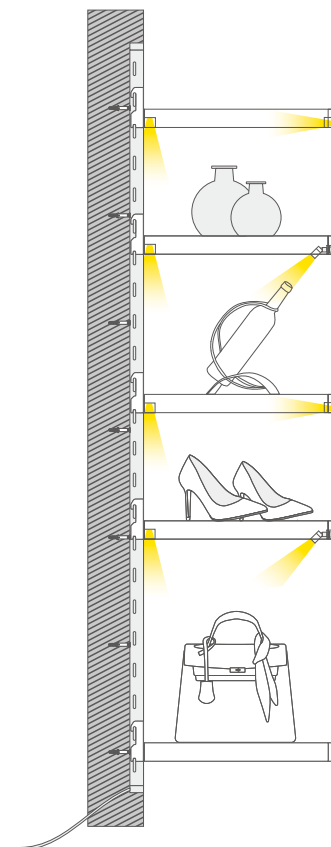


Drop Zoom Spot light Mika5560
The beam angle is adjustable from 10° to 35°.
An ideal product for display and museum lighting

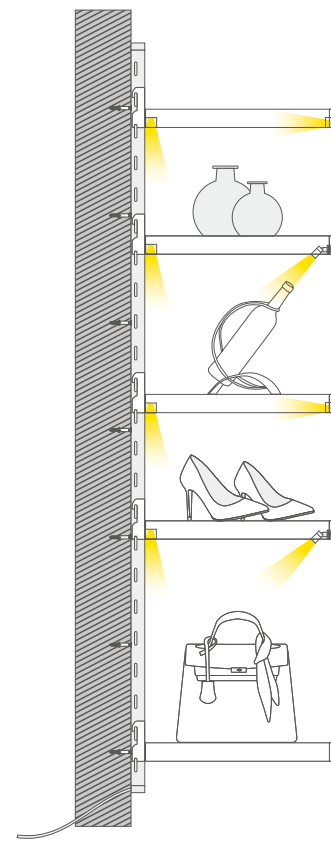
Input voltage: DC24-48V
Power: 6W
Colors: 2700K/3000K/3500K /4000K/5000K/6500K
CRI: Ra \geq 95
Dimming: Bluetooth
Beam Angle: 10°~35° adjustable
Working temperature: 0~45°C
we suggest maximum connected power
not more than 100W



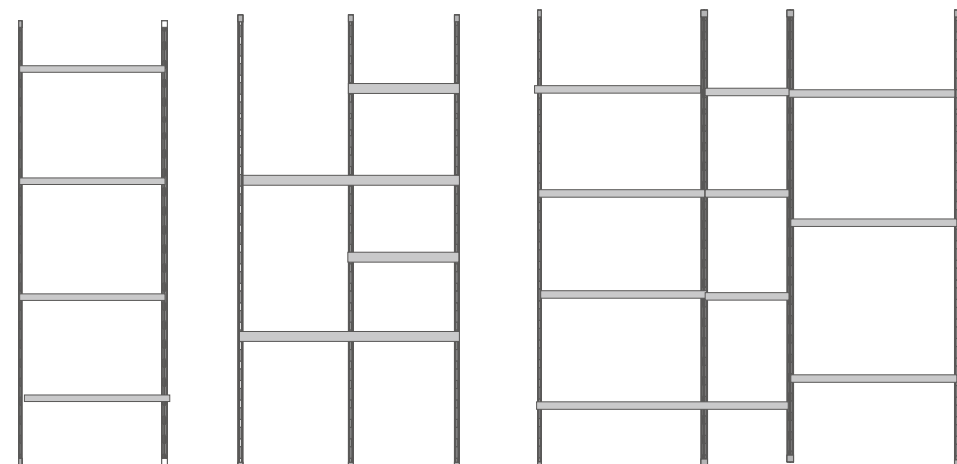
Low voltage **Quick Fixing**
Shelf lighting system
Dimmable, 5years warranty



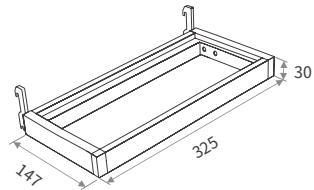
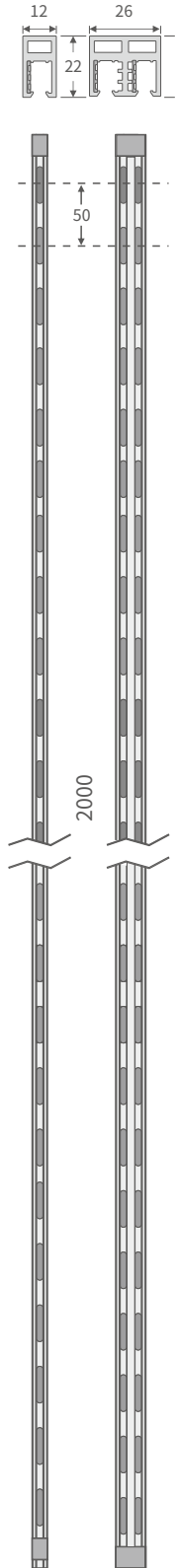
DC24V
Flush Mounting



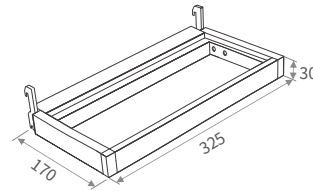
DC24V
Surface Mounting



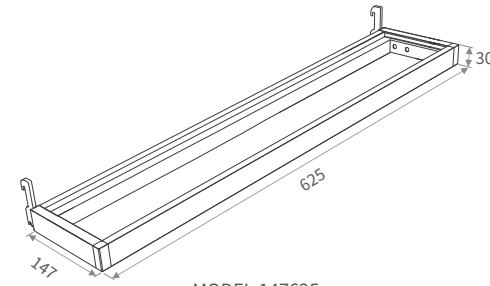
Aluminium shelf holder



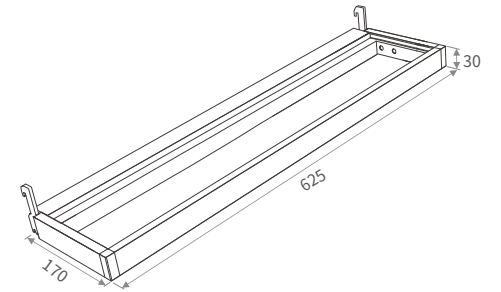
MODEL:147325



MODEL:170325
only for surface mounting



MODEL:147625

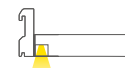


MODEL:170625
only for surface mounting

light configuration

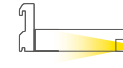


WA Power:1.5W

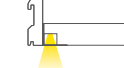


WL Power:1.5W

light configuration



WA Power:3W



WL Power:3W

Shelf plate 147325/170325

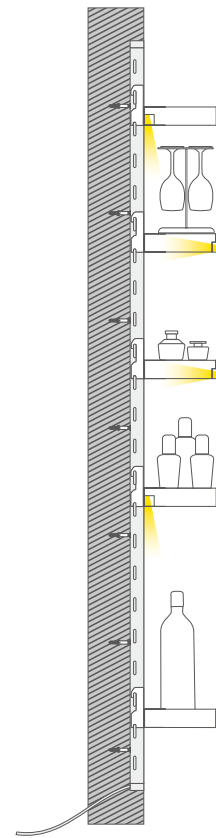
Material : Aluminium frame with glass plate
 Aluminium frame size :147 x 325 x 30mm
 170 x 325 x 30mm (surface mounting ,without gap)
 Glass size:122.5 X 300 X 6mm

Lighting features
 Input voltage: 24VDC
 Colors: 1800K-6500K
 CRI:Ra \geq 80, \geq 90, \geq 95
 0-10VDimmable
 Load bearing:25kg

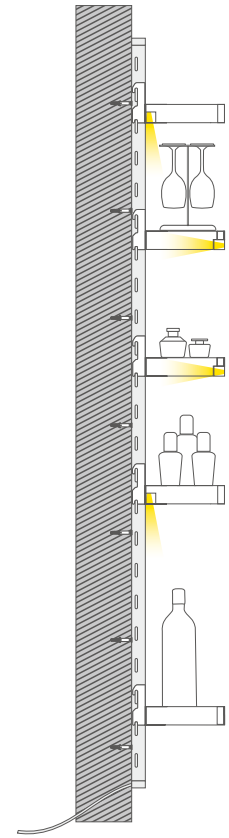
Shelf plate 147625/170625

Material : Aluminium frame with glass plate
 Aluminium frame size :147 x 625 x 30mm
 170 x 625 x 30mm (surface mounting ,without gap)
 Glass size:122.5 X 600 X 6mm

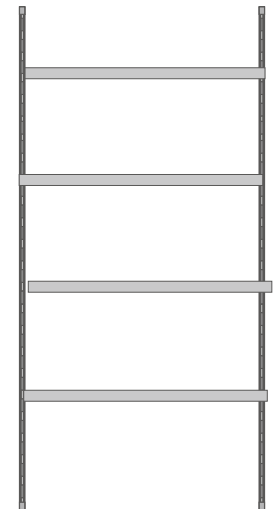
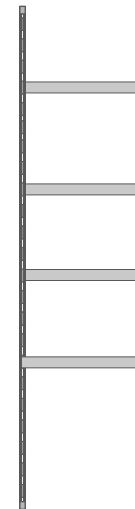
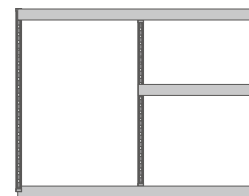
Lighting features
 Input voltage: 24VDC
 Colors: 1800K-6500K
 CRI:Ra \geq 80, \geq 90, \geq 95
 0-10VDimmable
 Load bearing:25kg



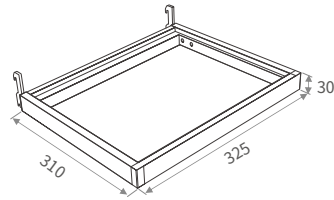
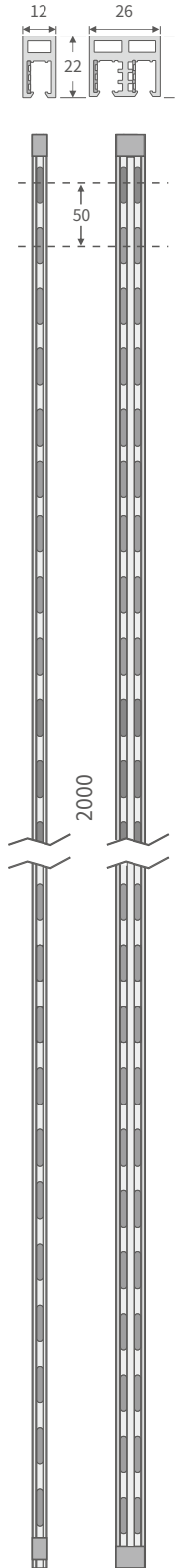
DC24V
Flush Mounting



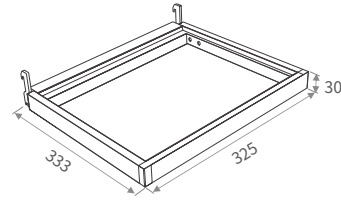
DC24V
Surface Mounting



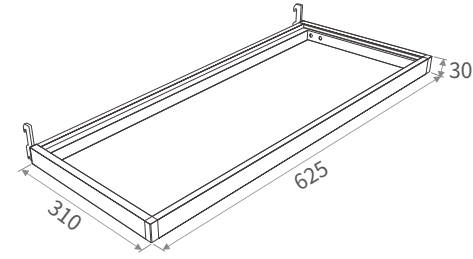
Aluminium shelf holder



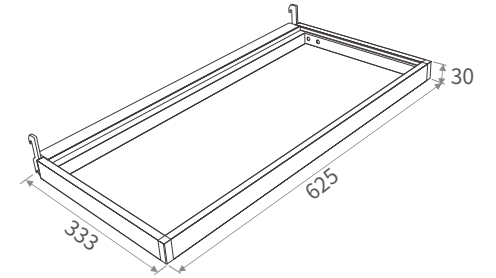
MODEL:310325



MODEL:333325
only for surface mounting



MODEL:310625



MODEL:333625
only for surface mounting

light configuration

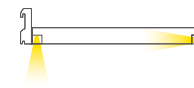


WLWA Power:3W



WLWS Power:1.5W+2W

light configuration



WLWA Power:6W



WLWS Power:3W+2W+2W

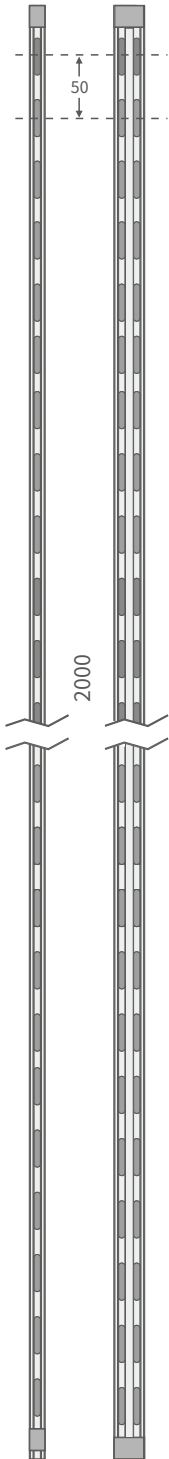
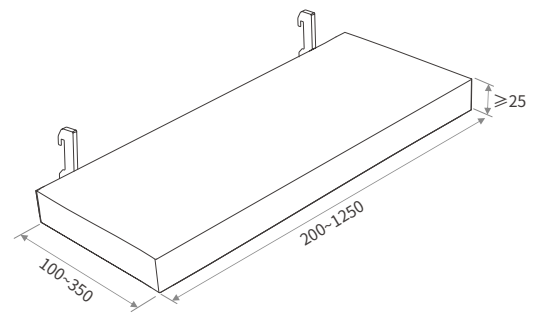
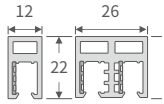
Shelf plate 310325/333325
Material : Aluminium frame with glass plate
Aluminium frame size :310 x 325 x 30mm
333 x 325 x 30mm(surface mounting ,without gap)
Glass size:285.5 X 300 X 6mm

Lighting features
Input voltage:24VDC
Colors: 1800K-6500K
CRI:Ra \geq 80, \geq 90, \geq 95
0-10VDimmable
Load bearing:25kg

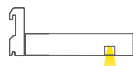
Shelf plate 310625/333625
Material : Aluminium frame with glass plate
Aluminium frame size :310 x 625 x 30mm
333 x 625 x 30mm(surface mounting ,without gap)
Glass size:285.5 X 600 X 6mm

Lighting features
Input voltage:24VDC
Colors: 1800K-6500K
CRI:Ra \geq 80, \geq 90, \geq 95
0-10VDimmable
Load bearing:25kg

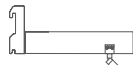
Aluminium shelf holder



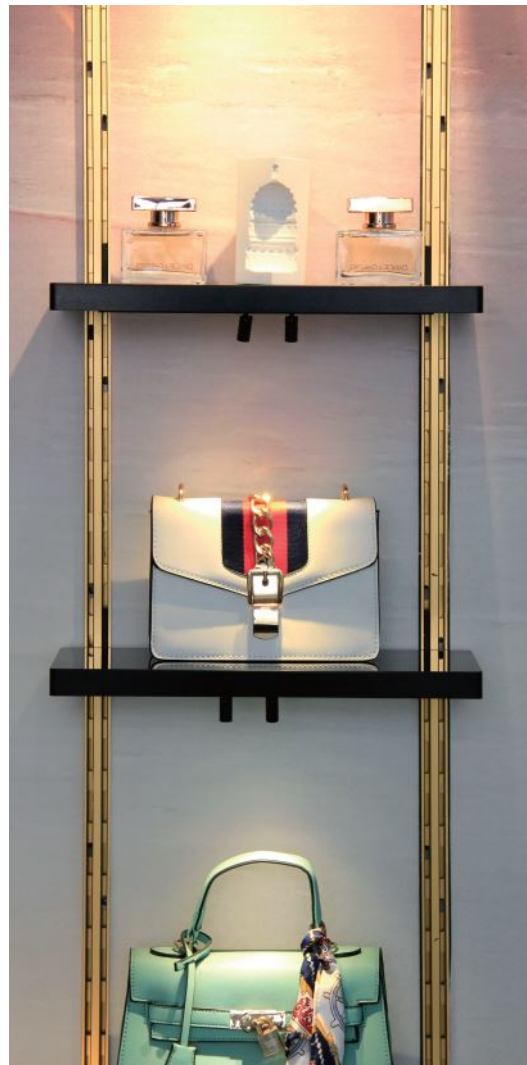
light configuration



Power:1.5W

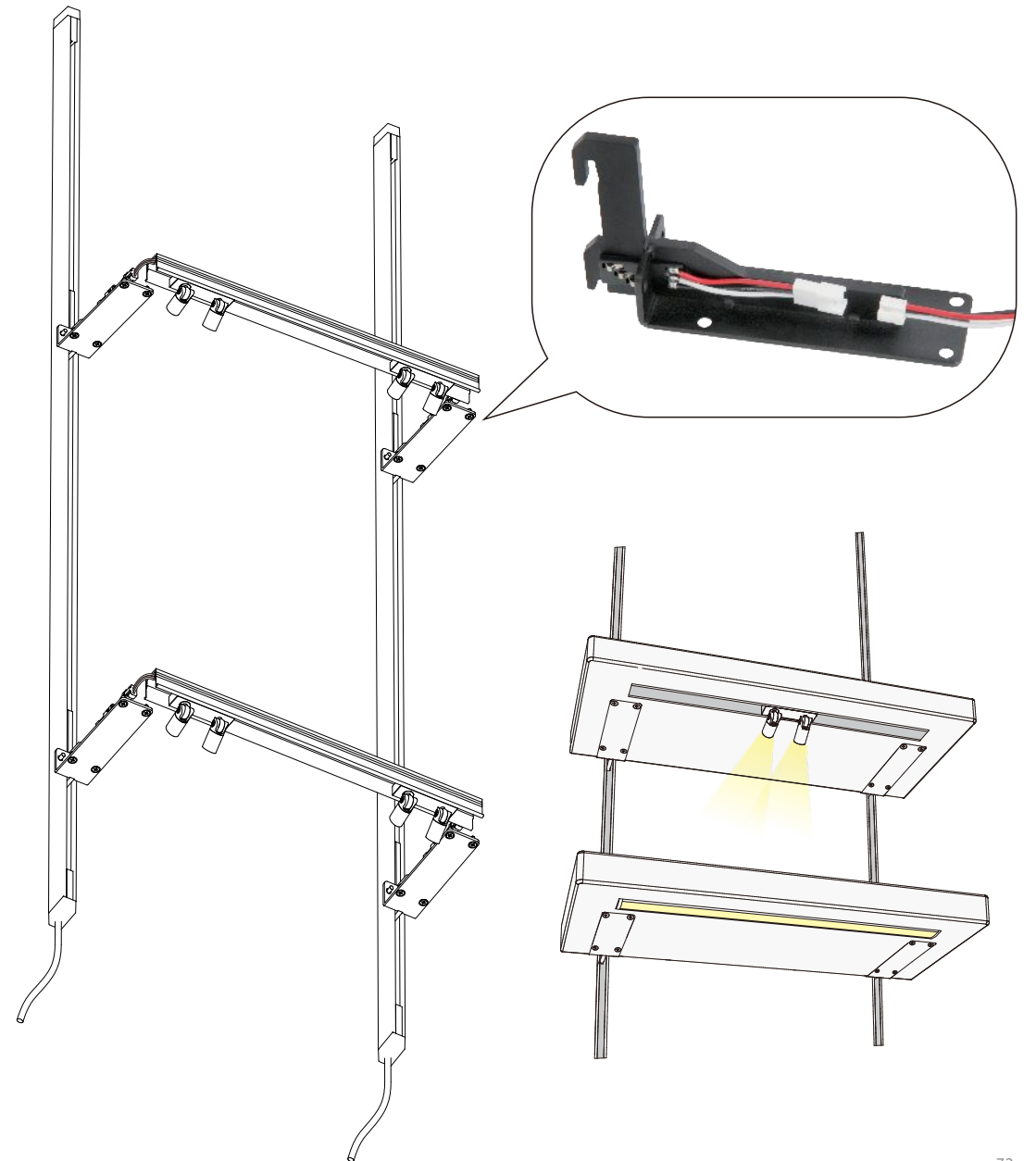


Power:2W

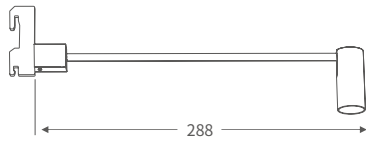
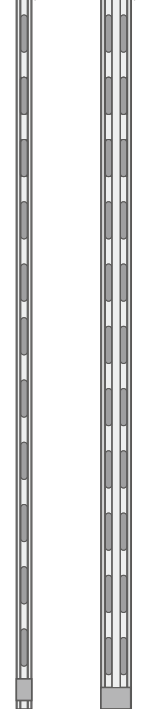
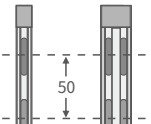
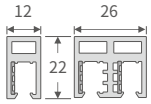


Shelf plate 150400
size :150 x 400 x 25mm

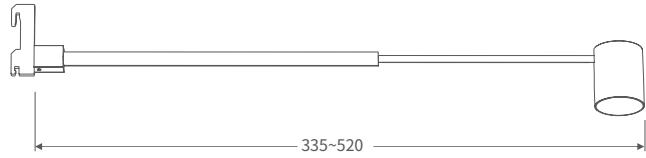
Lighting features
Input voltage: 24VDC
Colors: 1800K-6500K
CRI:Ra ≥80, ≥90, ≥95
0-10V Dimmable
Load bearing: 25kg



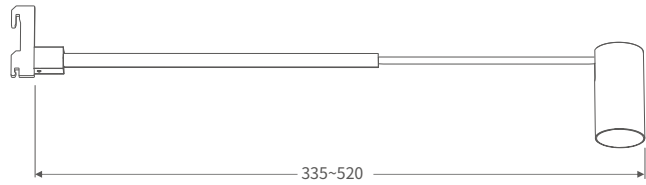
Aluminium shelf holder



SSL2249-288
Power:2W



SSL4255-520
Power:5W



SSL4280-520
Power:6W



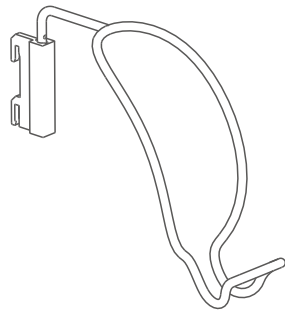
SSL4255-520
Power:5W



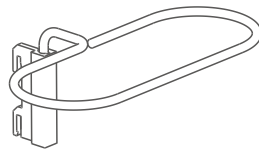
Wine Holder -Left



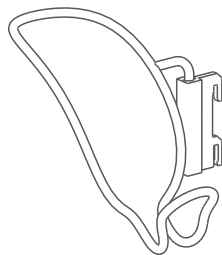
Wine Holder -Right



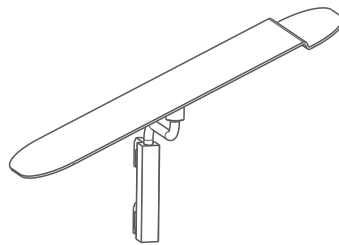
Wine Holder -vornor



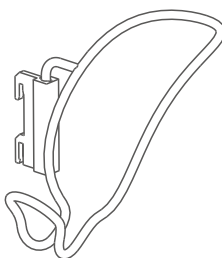
Shoes Holder



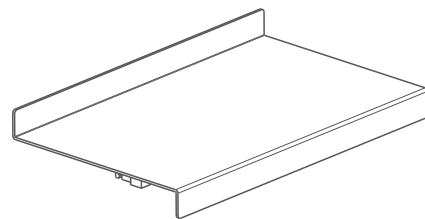
Wine Holder -left



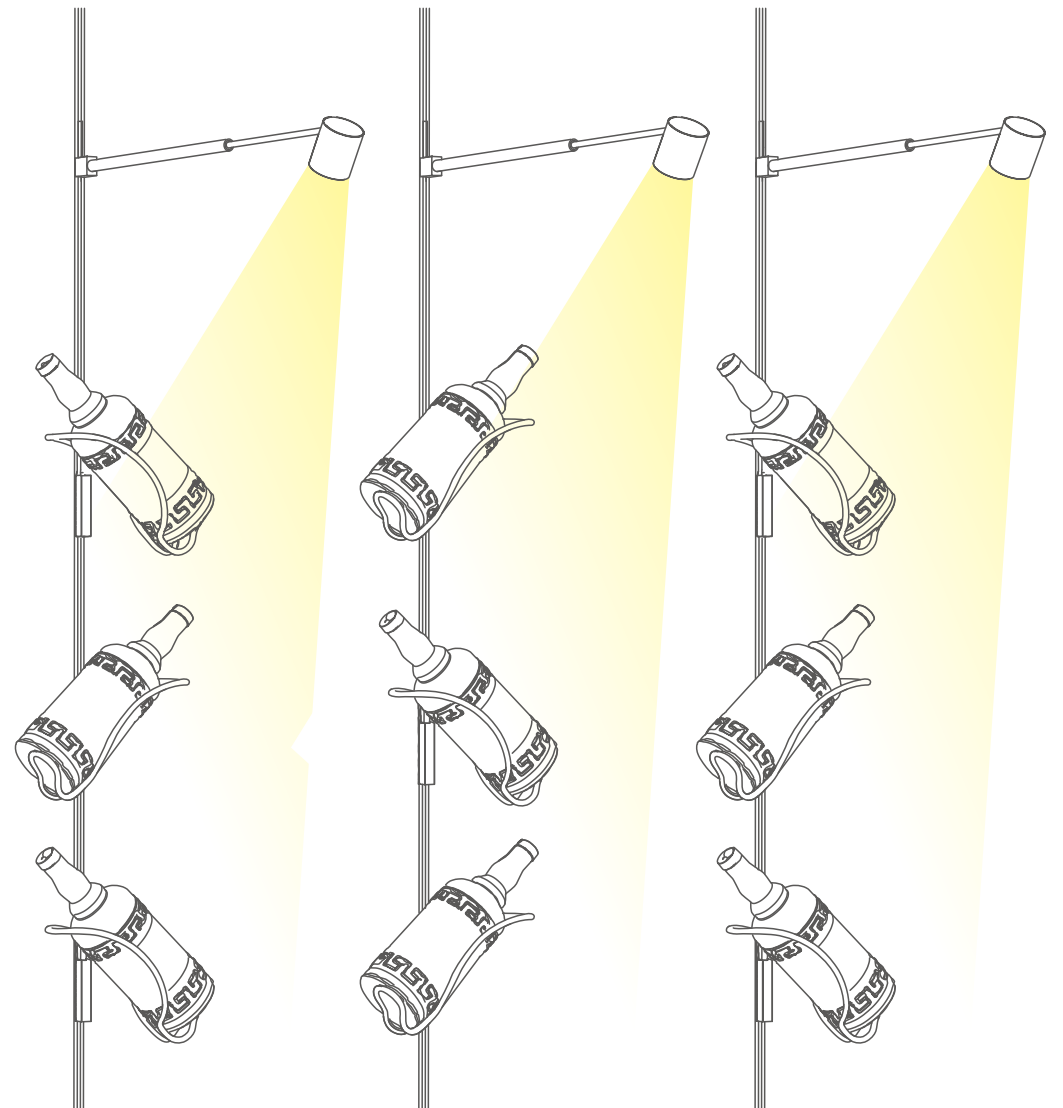
Shoes Holder



Wine Holder -right



Handbag Holder





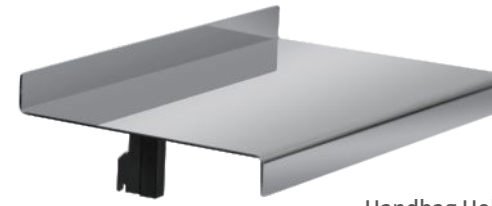
SSL2249-288
Power:2W



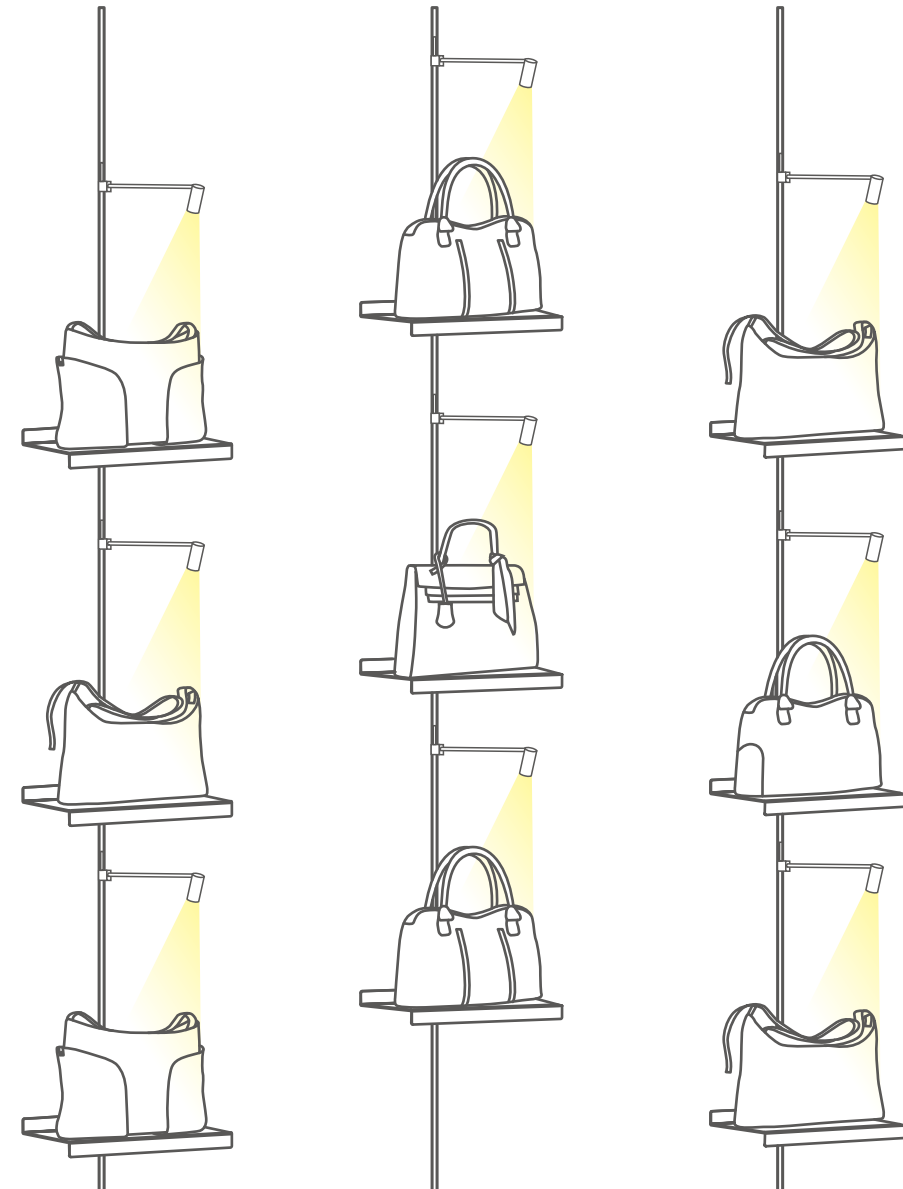
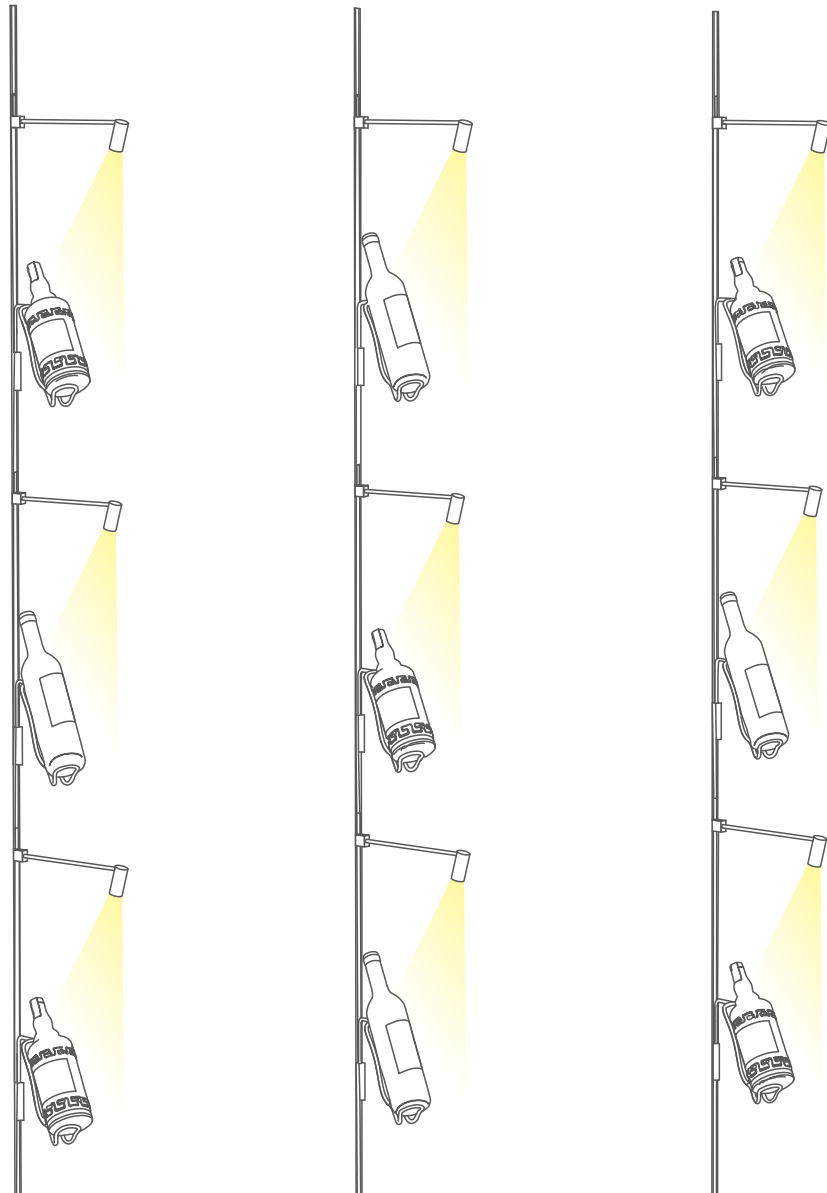
SSL2249-288
Power:2W



Wine Holder -Vorner



Handbag Holder

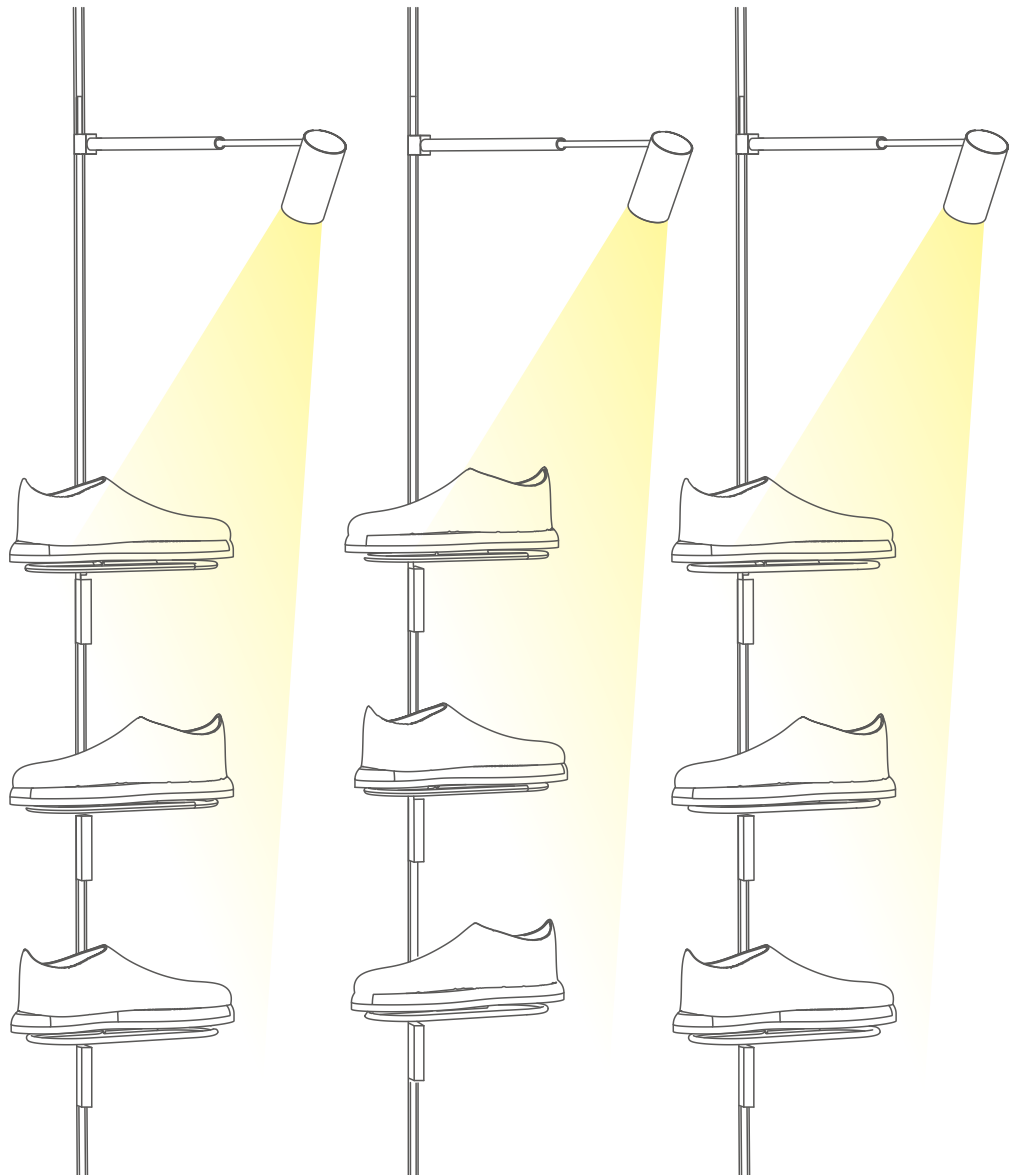




SSL4280-520
Power:6W



Shoes Holder



SSL4280-520
Power:6W



Shoes Holder

